

PLEASE CHECK WWW.MOLEX.COM FOR LATEST PART INFORMATION

Part Number: [0734120114](#)
Status: **Active**
Overview: [Microcoaxial RF Connectors](#)
Description: 50 Ohms, MCRF, PCB Vertical Jack Receptacle, SMT, 1.25mm Mounted Height

Documents:

[Drawing \(PDF\)](#) [RoHS Certificate of Compliance \(PDF\)](#)

General

Product Family	RF/Coax Connectors
Series	73412
Comments	Low Profile SMT, 1K per Reel
Overview	Microcoaxial RF Connectors
Product Name	MCRF
Style	PCB
UPC	883906385262
Wire/Cable Type	N/A

Physical

Gender	Jack
Keying to Mating Part	None
Net Weight	0.016/g
Orientation	Straight
PCB Mounting	Surface Mount
Packaging Type	Embossed Tape on Reel
Panel Mount	No
Panel Mount Method	N/A
Reverse Polar	No

Electrical

Impedance	50#
-----------	-----

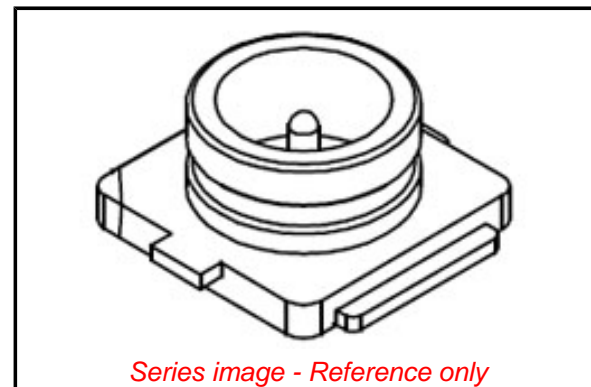
Solder Process Data

Duration at Max. Process Temperature (seconds)	010
Lead-freeProcess Capability	REFLOW
Max. Cycles at Max. Process Temperature	002
Process Temperature max. C	260

Material Info

Reference - Drawing Numbers

Sales Drawing	SD-73412-011
---------------	--------------



EU ELV

Not Relevant

EU RoHS

Compliant

REACH SVHC

Contains SVHC(15. June 2015): No

Halogen-Free

Status

Low-Halogen

Need more information on product environmental compliance?

Email productcompliance@molex.com
Please visit the [Contact Us](#) section for any non-product compliance questions.

China ROHS

ELV

China RoHS

Green Image

Not Relevant

Search Parts in this Series

[73412 Series](#)