

10-BIT DIGITAL-TO-ANALOG CONVERTERS

FEATURES

- 10-Bit CMOS Voltage Output DAC in an 8-Terminal Package
- 5V Single Supply Operation
- 3-Wire Serial Interface
- High-Impedance Reference Inputs
- Voltage Output Range: 2 Times the Reference Input Voltage
- Internal Power-On Reset
- Low Power Consumption: 1.75mW Max
- Update Rate of 1.21MHz
- Settling Time to 0.5LSB: 12.5 μ s Typ
- Monotonic Over Temperature
- Pin-Compatible With the Maxim MAX515

APPLICATIONS

- Battery-Powered Test Instruments
- Digital Offset and Gain Adjustment
- Battery Operated/Remote Industrial Controls
- Machine and Motion Control Devices
- Cellular Telephones

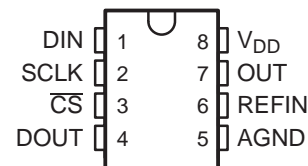
DESCRIPTION

The TLC5615 is a 10-bit voltage output digital-to-analog converter (DAC) with a buffered reference input (high impedance). The DAC has an output voltage range that is two times the reference voltage, and the DAC is monotonic. The device is simple to use, running from a single supply of 5V. A power-on-reset function is incorporated to ensure repeatable start-up conditions.

Digital control of the TLC5615 is over a three-wire serial bus that is CMOS compatible and easily interfaced to industry standard microprocessor and microcontroller devices. The device receives a 16-bit data word to produce the analog output. The digital inputs feature Schmitt triggers for high noise immunity. Digital communication protocols include the SPI™, QSPI™, and Microwire™ standards.

The 8-terminal small-outline D package allows digital control of analog functions in space-critical applications. The TLC5615C is characterized for operation from 0°C to +70°C. The TLC5615I is characterized for operation from -40°C to +85°C.

**D, P, OR DGK PACKAGE
(TOP VIEW)**



Please be aware that an important notice concerning availability, standard warranty, and use in critical applications of Texas Instruments semiconductor products and disclaimers thereto appears at the end of this data sheet.

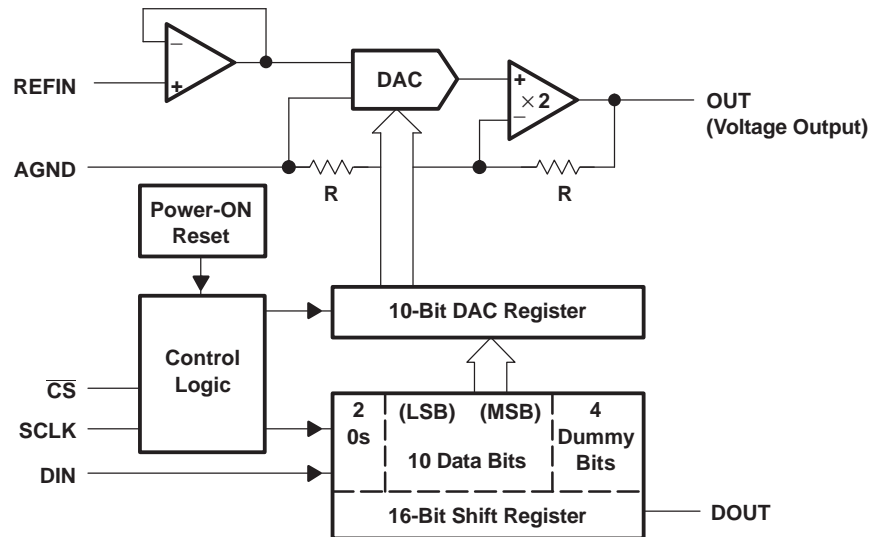
SPI, QSPI are trademarks of Motorola, Inc.
Microwire is a trademark of National Semiconductor Corporation.
All other trademarks are the property of their respective owners.



This integrated circuit can be damaged by ESD. Texas Instruments recommends that all integrated circuits be handled with appropriate precautions. Failure to observe proper handling and installation procedures can cause damage.

ESD damage can range from subtle performance degradation to complete device failure. Precision integrated circuits may be more susceptible to damage because very small parametric changes could cause the device not to meet its published specifications.

FUNCTIONAL BLOCK DIAGRAM



Terminal Functions

TERMINAL		I/O	DESCRIPTION
NAME	NO.		
DIN	1	I	Serial data input
SCLK	2	I	Serial clock input
\overline{CS}	3	I	Chip select, active low
DOUT	4	O	Serial data output for daisy chaining
AGND	5		Analog ground
REFIN	6	I	Reference input
OUT	7	O	DAC analog voltage output
V_{DD}	8		Positive power supply

PACKAGE/ORDERING INFORMATION

For the most current package and ordering information, see the Package Option Addendum at the end of this document, or see the TI website at www.ti.com.

ABSOLUTE MAXIMUM RATINGS

over operating free-air temperature range (unless otherwise noted)⁽¹⁾

		UNIT
Supply voltage (V_{DD} to AGND)		7V
Digital input voltage range to AGND		-0.3V to $V_{DD} + 0.3V$
Reference input voltage range to AGND		-0.3V to $V_{DD} + 0.3V$
Output voltage at OUT from external source		$V_{DD} + 0.3V$
Continuous current at any terminal		$\pm 20mA$
Operating free-air temperature range, T_A	TLC5615C	0°C to +70°C
	TLC5615I	-40°C to +85°C
Storage temperature range, T_{stg}		-65°C to +150°C
Lead temperature 1,6mm (1/16 inch) from case for 10 seconds		+260°C

(1) Stresses beyond those listed under [Absolute Maximum Ratings](#) may cause permanent damage to the device. These are stress ratings only, and functional operation of the device at these or any other conditions beyond those indicated under [Recommended Operating Conditions](#) is not implied. Exposure to absolute-maximum-rated conditions for extended periods may affect device reliability.

RECOMMENDED OPERATING CONDITIONS

		MIN	NOM	MAX	UNIT
Supply voltage, V_{DD}		4.5	5	5.5	V
High-level digital input voltage, V_{IH}		2.4			V
Low-level digital input voltage, V_{IL}				0.8	V
Reference voltage, V_{ref} to REFIN terminal		2	2.048	$V_{DD}-2$	V
Load resistance, R_L		2			k Ω
Operating free-air temperature, T_A	TLC5615C	0		70	°C
	TLC5615I	40		85	°C

ELECTRICAL CHARACTERISTICS

over recommended operating free-air temperature range, $V_{DD} = 5V \pm 5\%$, $V_{ref} = 2.048V$ (unless otherwise noted)

STATIC DAC SPECIFICATIONS							
PARAMETER		TEST CONDITIONS		MIN	TYP	MAX	UNIT
Resolution				10			bits
Integral nonlinearity, end point adjusted (INL)		$V_{ref} = 2.048V$,	See ⁽¹⁾			± 1	LSB
Differential nonlinearity (DNL)		$V_{ref} = 2.048V$,	See ⁽²⁾		± 0.1	± 0.5	LSB
E_{ZS}	Zero-scale error (offset error at zero scale)	$V_{ref} = 2.048V$,	See ⁽³⁾			± 3	LSB
	Zero-scale-error temperature coefficient	$V_{ref} = 2.048V$,	See ⁽⁴⁾		3		ppm/°C
E_G	Gain error	$V_{ref} = 2.048V$,	See ⁽⁵⁾			± 3	LSB
	Gain-error temperature coefficient	$V_{ref} = 2.048V$,	See ⁽⁶⁾		1		ppm/°C
PSRR	Power-supply rejection ratio	Zero scale	See ⁽⁷⁾⁽⁸⁾	80			dB
		Gain		80			
Analog full scale output		$R_L = 100k\Omega$		$2V_{ref}(1023/1024)$			V

- (1) The relative accuracy or integral nonlinearity (INL), sometimes referred to as linearity error, is the maximum deviation of the output from the line between zero and full scale excluding the effects of zero code and full-scale errors (see text). Tested from code 3 to code 1024.
- (2) The differential nonlinearity (DNL), sometimes referred to as differential error, is the difference between the measured and ideal 1LSB amplitude change of any two adjacent codes. Monotonic means the output voltage changes in the same direction (or remains constant) as a change in the digital input code. Tested from code 3 to code 1024.
- (3) Zero-scale error is the deviation from zero-voltage output when the digital input code is zero (see text).
- (4) Zero-scale-error temperature coefficient is given by: $E_{ZS} TC = [E_{ZS}(T_{max}) - E_{ZS}(T_{min})]/V_{ref} \times 10^6/(T_{max} - T_{min})$.
- (5) Gain error is the deviation from the ideal output ($V_{ref} - 1LSB$) with an output load of 10k Ω excluding the effects of the zero-scale error.
- (6) Gain temperature coefficient is given by: $E_G TC = [E_G(T_{max}) - E_G(T_{min})]/V_{ref} \times 10^6/(T_{max} - T_{min})$.
- (7) Zero-scale-error rejection ratio (EZS-RR) is measured by varying the V_{DD} from 4.5V to 5.5V dc and measuring the proportion of this signal imposed on the zero-code output voltage.
- (8) Gain-error rejection ratio (EG-RR) is measured by varying the V_{DD} from 4.5V to 5.5V dc and measuring the proportion of this signal imposed on the full-scale output voltage after subtracting the zero-scale change.

VOLTAGE OUTPUT (OUT)

PARAMETER		TEST CONDITIONS	MIN	TYP	MAX	UNIT	
V _O	Voltage output range	R _L = 10kΩ	0		V _{DD} -0.4	V	
	Output load regulation accuracy	V _{O(OUT)} = 2V, R _L = 2kΩ			0.5	LSB	
I _{OSC}	Output short circuit current	OUT to V _{DD} or AGND		20		mA	
V _{OL(low)}	Output voltage, low-level	I _{O(OUT)} ≤ 5mA			0.25	V	
V _{OH(high)}	Output voltage, high-level	I _{O(OUT)} ≤ -5mA	4.75			V	
REFERENCE INPUT (REFIN)							
V _I	Input voltage		0		V _{DD} -2	V	
r _i	Input resistance		10			MΩ	
C _i	Input capacitance			5		pF	
DIGITAL INPUTS (DIN, SCLK, CS)							
V _{IH}	High-level digital input voltage		2.4			V	
V _{IL}	Low-level digital input voltage				0.8	V	
I _{IH}	High-level digital input current	V _I = V _{DD}			±1	μA	
I _{IL}	Low-level digital input current	V _I = 0			±1	μA	
C _i	Input capacitance			8		pF	
DIGITAL OUTPUT (DOUT)							
V _{OH}	Output voltage, high-level	I _O = -2mA	V _{DD} -1			V	
V _{OL}	Output voltage, low-level	I _O = 2mA			0.4	V	
POWER SUPPLY							
V _{DD}	Supply voltage		4.5	5	5.5	V	
I _{DD}	Power supply current	V _{DD} = 5.5V, No load, All inputs = 0V or V _{DD}			150	250	μA
		V _{DD} = 5.5V, No load, All inputs = 0V or V _{DD}	V _{ref} = 0		230	350	μA
ANALOG OUTPUT DYNAMIC PERFORMANCE							
	Signal-to-noise + distortion, S/(N+D)	V _{ref} = 1V _{PP} at 1kHz + 2.048Vdc, code = 11 1111 1111 ⁽¹⁾	60			dB	

(1) The limiting frequency value at 1V_{PP} is determined by the output-amplifier slew rate.

DIGITAL INPUT TIMING REQUIREMENTS (See Figure 1)

PARAMETER		MIN	NOM	MAX	UNIT
t _{su(DS)}	Setup time, DIN before SCLK high	45			ns
t _{h(DH)}	Hold time, DIN valid after SCLK high	0			ns
t _{su(CSS)}	Setup time, CS low to SCLK high	1			ns
t _{su(CS1)}	Setup time, CS high to SCLK high	50			ns
t _{h(CSH0)}	Hold time, SCLK low to CS low	1			ns
t _{h(CSH1)}	Hold time, SCLK low to CS high	0			ns
t _{w(CS)}	Pulse duration, minimum chip select pulse width high	20			ns
t _{w(CL)}	Pulse duration, SCLK low	25			ns
t _{w(CH)}	Pulse duration, SCLK high	25			ns

OUTPUT SWITCHING CHARACTERISTICS

PARAMETER		TEST CONDITIONS	MIN	NOM	MAX	UNIT
t _{pd(DOUT)}	Propagation delay time, DOUT	C _L = 50pF			50	ns

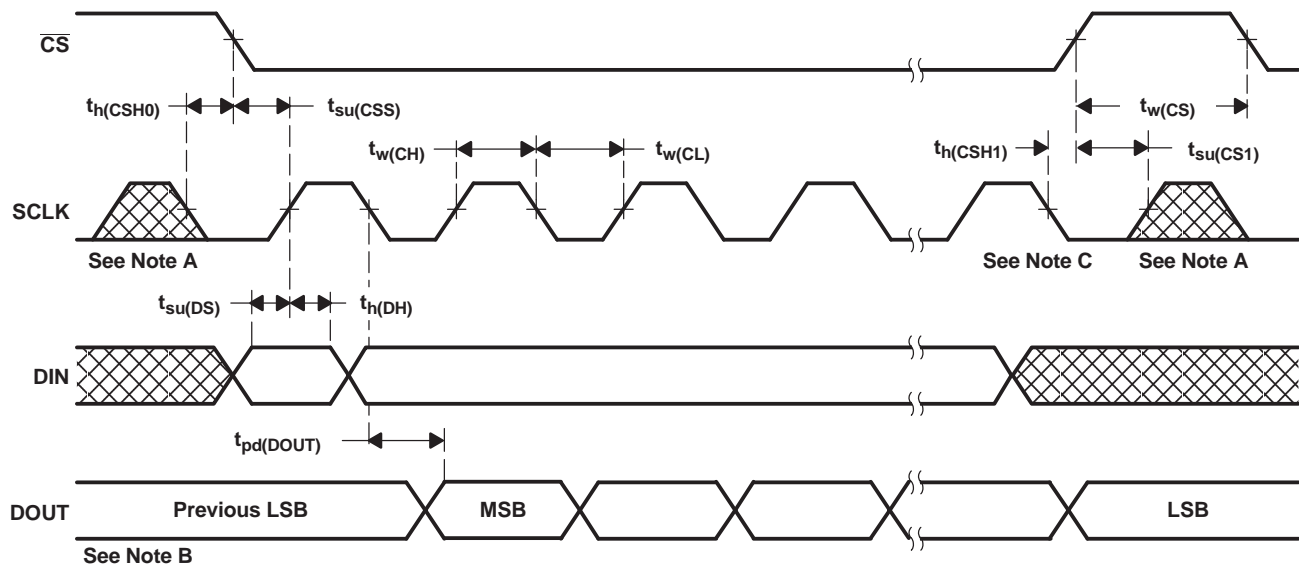
OPERATING CHARACTERISTICS

over recommended operating free-air temperature range, $V_{DD} = 5V \pm 5\%$, $V_{ref} = 2.048V$ (unless otherwise noted)

PARAMETER		TEST CONDITIONS	MIN	TYP	MAX	UNIT
ANALOG OUTPUT DYNAMIC PERFORMANCE						
SR	Output slew rate	$C_L = 100pF$, $T_A = +25^\circ C$	$R_L = 10k\Omega$,		0.3	$V/\mu s$
t_s	Output settling time	To 0.5LSB, $R_L = 10k\Omega$,	$C_L = 100pF$, ⁽¹⁾		12.5	μs
Glitch energy		DIN = All 0s to all 1s			5	nV-s
REFERENCE INPUT (REFIN)						
Reference feedthrough		REFIN = $1V_{PP}$ at 1kHz + 2.048Vdc ⁽²⁾			-80	dB
Reference input bandwidth (f-3dB)		REFIN = $0.2V_{PP} + 2.048Vdc$			30	kHz

- (1) Settling time is the time for the output signal to remain within $\pm 0.5LSB$ of the final measured value for a digital input code change of 000 hex to 3FF hex or 3FF hex to 000 hex.
 (2) Reference feedthrough is measured at the DAC output with an input code = 000 hex and a V_{ref} input = 2.048Vdc + $1V_{PP}$ at 1kHz.

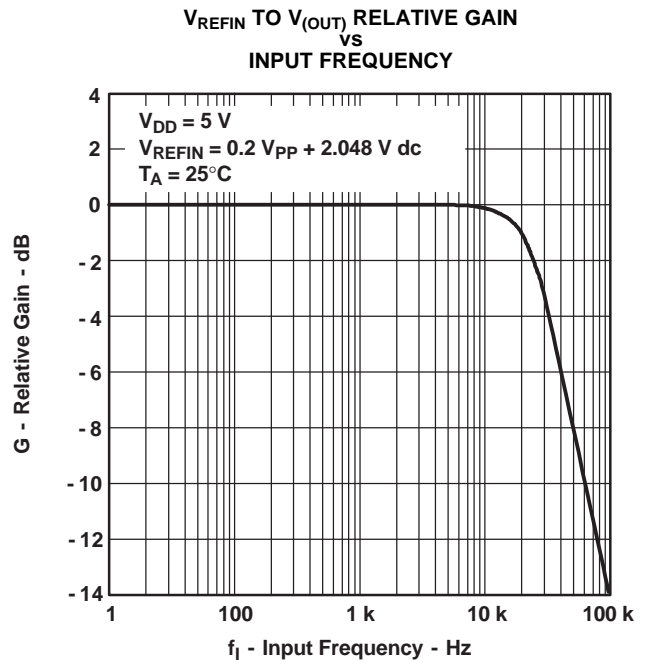
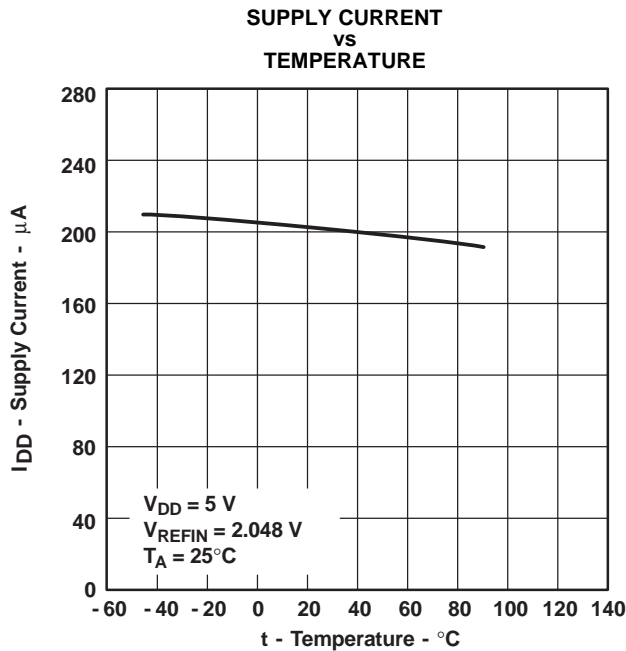
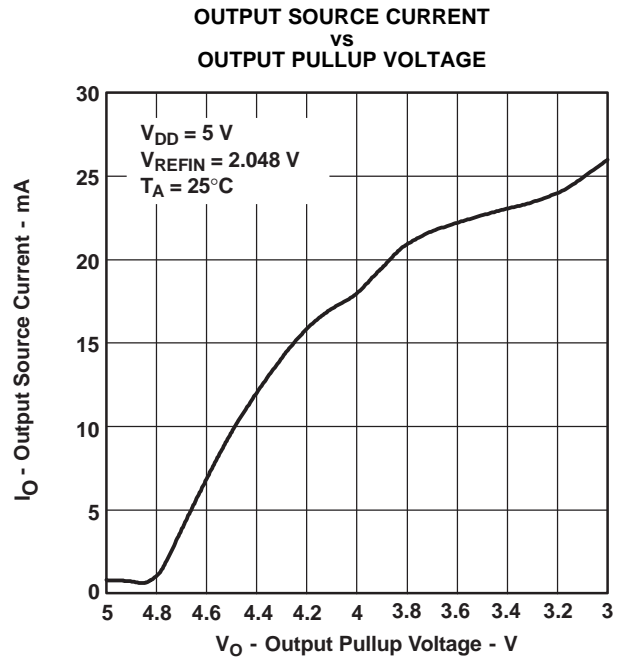
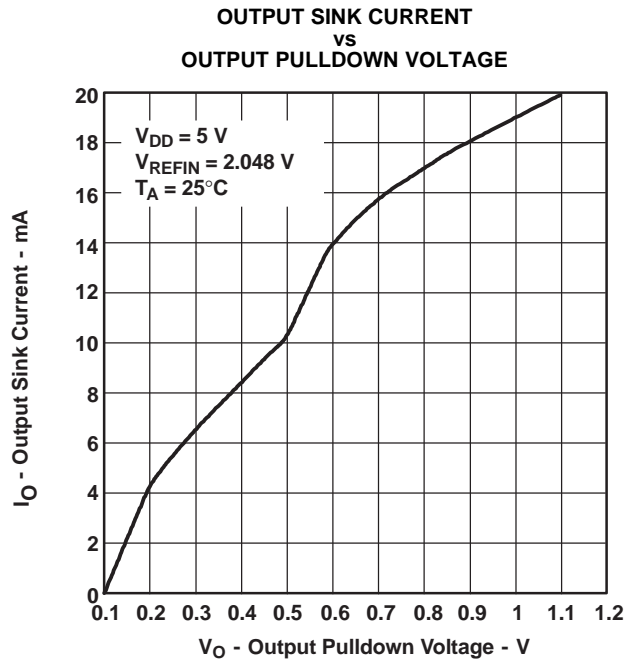
PARAMETER MEASUREMENT INFORMATION



- NOTES: A. The input clock, applied at the SCLK terminal, should be inhibited low when \overline{CS} is high to minimize clock feedthrough.
 B. Data input from preceding conversion cycle.
 C. Sixteenth SCLK falling edge

Figure 1. Timing Diagram

TYPICAL CHARACTERISTICS



TYPICAL CHARACTERISTICS (continued)

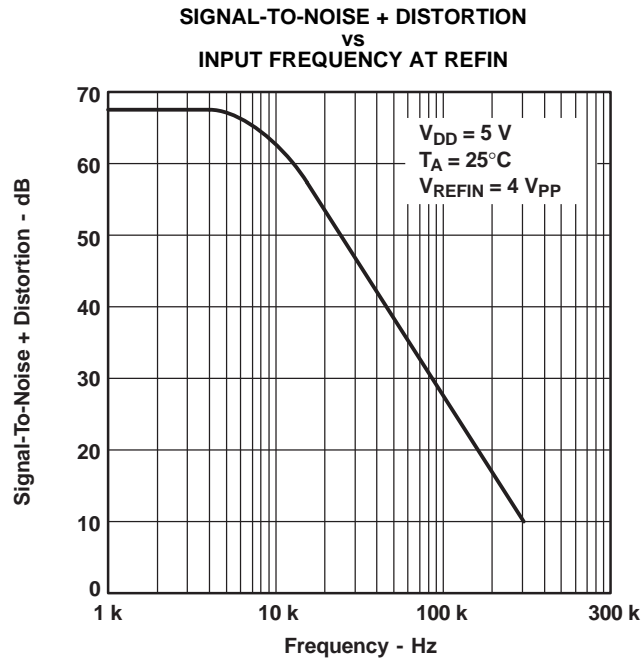


Figure 6.

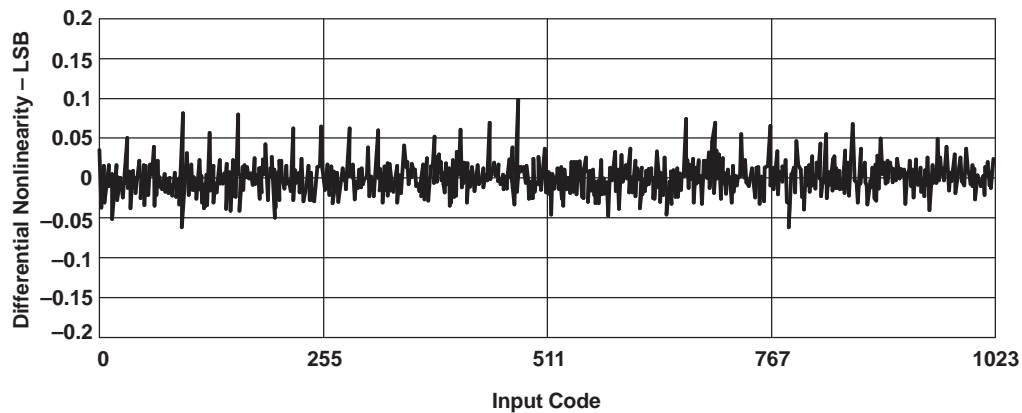


Figure 7. Differential Nonlinearity With Input Code

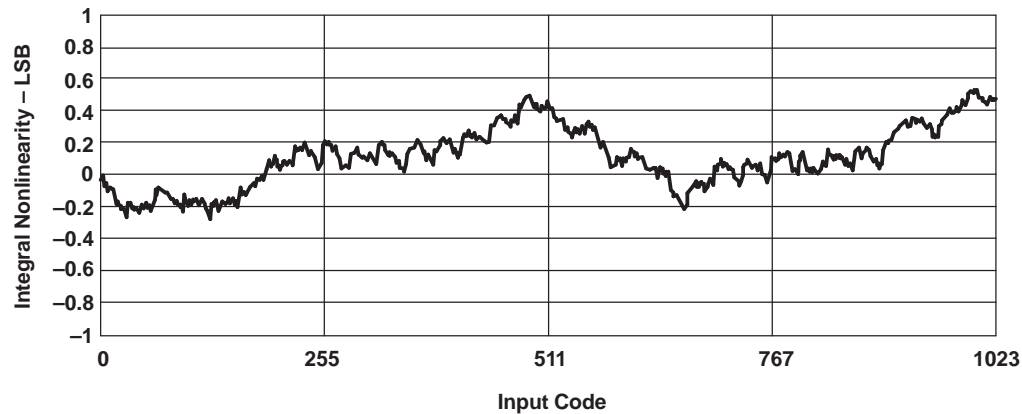


Figure 8. Integral Nonlinearity With Input Code

APPLICATION INFORMATION

GENERAL FUNCTION

The TLC5615 uses a resistor string network buffered with an op amp in a fixed gain of 2 to convert 10-bit digital data to analog voltage levels (see functional block diagram and Figure 9). The output of the TLC5615 is the same polarity as the reference input (see Table 1).

An internal circuit resets the DAC register to all zeros on power up.

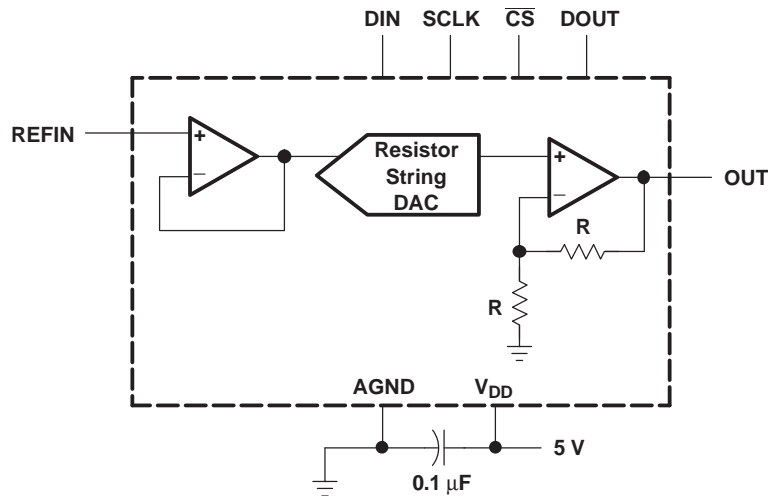


Figure 9. TLC5615 Typical Operating Circuit

Table 1. Binary Code Table (0V to 2V_{REFIN} Output), Gain = 2

INPUT ⁽¹⁾			OUTPUT
1111	1111	11(00)	$2(V_{REFIN}) \frac{1023}{1024}$
	:		:
1000	0000	01(00)	$2(V_{REFIN}) \frac{513}{1024}$
1000	0000	00(00)	$2(V_{REFIN}) \frac{512}{1024} = V_{REFIN}$
0111	1111	11(00)	$2(V_{REFIN}) \frac{511}{1024}$
	:		:
0000	0000	01(00)	$2(V_{REFIN}) \frac{1}{1024}$
0000	0000	00(00)	0 V

(1) A 10-bit data word with two bits below the LSB bit (sub-LSB) with 0 values must be written since the DAC input latch is 12 bits wide.

BUFFER AMPLIFIER

The output buffer has a rail-to-rail output with short circuit protection and can drive a 2kΩ load with a 100pF load capacitance. Settling time is 12.5μs typical to within 0.5LSB of final value.

EXTERNAL REFERENCE

The reference voltage input is buffered, which makes the DAC input resistance not code dependent. Therefore, the REFIN input resistance is 10MΩ and the REFIN input capacitance is typically 5pF independent of input code. The reference voltage determines the DAC full-scale output.

LOGIC INTERFACE

The logic inputs function with either TTL or CMOS logic levels. However, using rail-to-rail CMOS logic achieves the lowest power dissipation. The power requirement increases by approximately 2 times when using TTL logic levels.

SERIAL CLOCK AND UPDATE RATE

Figure 1 shows the TLC5615 timing. The maximum serial clock rate is:

$$f_{(\text{SCLK})\text{max}} = \frac{1}{t_{w(\text{CH})} + t_{w(\text{CL})}}$$

or approximately 14MHz. The digital update rate is limited by the chip-select period, which is:

$$t_{p(\text{CS})} = 16 \times (t_{w(\text{CH})} + t_{w(\text{CL})}) + t_{w(\text{CS})}$$

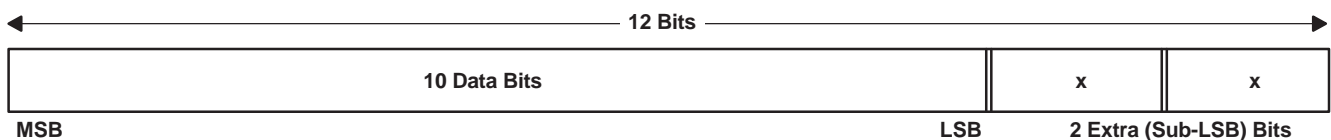
and is equal to 820ns which is a 1.21MHz update rate. However, the DAC settling time to 10 bits of 12.5μs limits the update rate to 80kHz for full-scale input step transitions.

SERIAL INTERFACE

When chip select ($\overline{\text{CS}}$) is low, the input data is read into a 16-bit shift register with the input data clocked in most significant bit first. The rising edge of the SCLK input shifts the data into the input register.

The rising edge of $\overline{\text{CS}}$ then transfers the data to the DAC register. When $\overline{\text{CS}}$ is high, input data cannot be clocked into the input register. All $\overline{\text{CS}}$ transitions should occur when the SCLK input is low.

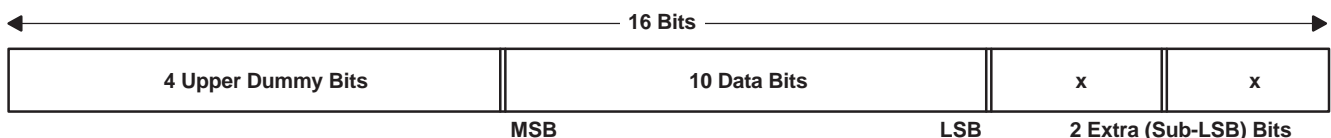
If the daisy chain (cascading) function (see daisy-chaining devices section) is not used, a 12-bit input data sequence with the MSB first can be used as shown in [Figure 10](#):



x = don't care

Figure 10. 12-Bit Input Data Sequence

or 16 bits of data can be transferred as shown in [Figure 11](#) with the 4 upper dummy bits first.



x = don't care

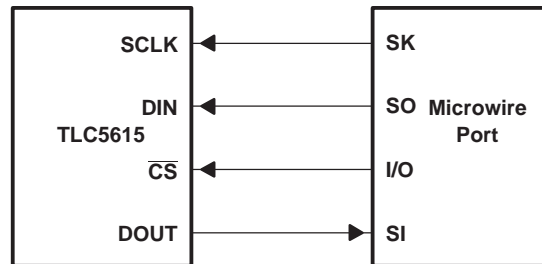
Figure 11. 16-Bit Input Data Sequence

The data from DOUT requires 16 falling edges of the input clock and, therefore, requires an extra clock width. When daisy chaining multiple TLC5615 devices, the data requires 4 upper dummy bits because the data transfer requires 16 input-clock cycles plus one additional input-clock falling edge to clock out the data at the DOUT terminal (see Figure 1).

The two extra (sub-LSB) bits are always required to provide hardware and software compatibility with 12-bit data converter transfers.

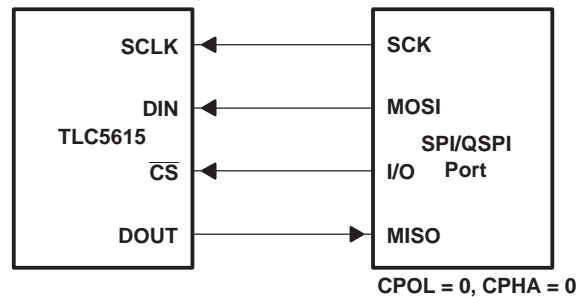
The TLC5615 three-wire interface is compatible with the SPI, QSPI, and Microwire serial standards. The hardware connections are shown in Figure 12 and Figure 13.

The SPI and Microwire interfaces transfer data in 8-bit bytes; therefore, two write cycles are required to input data to the DAC. The QSPI interface, which has a variable input data length from 8 to 16 bits, can load the DAC input register in one write cycle.



NOTE A: The DOUT-SI connection is not required for writing to the TLC5615 but may be used for verifying data transfer if desired.

Figure 12. Microwire Connection



NOTE A: The DOUT-MISO connection is not required for writing to the TLC5615 but may be used for verifying data transfer.

Figure 13. SPI/QSPI Connection

DAISY-CHAINING DEVICES

DACs can be daisy-chained by connecting the DOUT terminal of one device to the DIN of the next device in the chain, providing that the setup time, $t_{su(CSS)}$ (\overline{CS} low to SCLK high), is greater than the sum of the setup time, $t_{su(DS)}$, plus the propagation delay time, $t_{pd(DOUT)}$, for proper timing (see digital input timing requirements section). The data at DIN appears at DOUT, delayed by 16 clock cycles plus one clock width. DOUT is a totem-poled output for low power. DOUT changes on the SCLK falling edge when \overline{CS} is low. When \overline{CS} is high, DOUT remains at the value of the last data bit and does not go into a high-impedance state.

LINEARITY, OFFSET, AND GAIN ERROR USING SINGLE-ENDED SUPPLIES

When an amplifier is operated from a single supply, the voltage offset can still be either positive or negative. With a positive offset, the output voltage changes on the first code change. With a negative offset the output voltage may not change with the first code depending on the magnitude of the offset voltage.

The output amplifier attempts to drive the output to a negative voltage. However, because the most negative supply rail is ground, the output cannot drive below ground and clamps the output at 0V.

The output voltage then remains at zero until the input code value produces a sufficient positive output voltage to overcome the negative offset voltage, resulting in the transfer function shown in Figure 14.

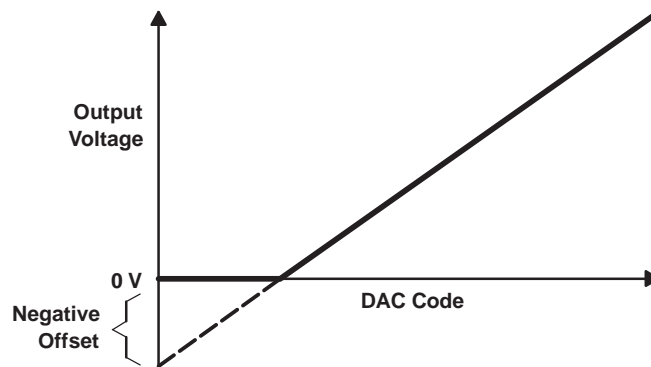


Figure 14. Effect of Negative Offset (Single Supply)

This offset error, not the linearity error, produces this breakpoint. The transfer function would have followed the dotted line if the output buffer could drive below the ground rail.

For a DAC, linearity is measured between zero-input code (all inputs '0') and full-scale code (all inputs '1') after offset and full scale are adjusted out or accounted for in some way. However, single supply operation does not allow for adjustment when the offset is negative due to the breakpoint in the transfer function. So the linearity is measured between full-scale code and the lowest code that produces a positive output voltage. For the TLC5615, the zero-scale (offset) error is $\pm 3\text{LSB}$ maximum. The code is calculated from the maximum specification for the negative offset.

POWER-SUPPLY BYPASSING AND GROUND MANAGEMENT

Printed circuit boards that use separate analog and digital ground planes offer the best system performance. Wire-wrap boards do not perform well and should not be used. The two ground planes should be connected together at the low-impedance power-supply source. The best ground connection may be achieved by connecting the DAC AGND terminal to the system analog ground plane making sure that analog ground currents are well managed and there are negligible voltage drops across the ground plane.

A $0.1\mu\text{F}$ ceramic-capacitor bypass should be connected between V_{DD} and AGND and mounted with short leads as close as possible to the device. Use of ferrite beads may further isolate the system analog supply from the digital power supply.

Figure 15 shows the ground plane layout and bypassing technique.

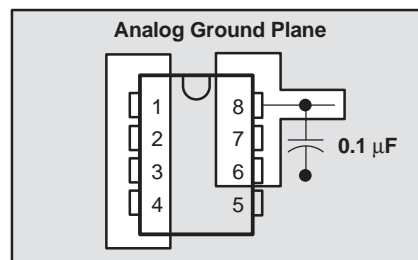


Figure 15. Power-Supply Bypassing

SAVING POWER

Setting the DAC register to all 0s minimizes power consumption by the reference resistor array and the output load when the system is not using the DAC.

AC CONSIDERATIONS

Digital Feedthrough

Even with \overline{CS} high, high-speed serial data at any of the digital input or output terminals may couple through the DAC package internal stray capacitance and appear at the DAC analog output as digital feedthrough. Digital feedthrough is tested by holding \overline{CS} high and transmitting 0101010101 from DIN to DOUT.

Analog Feedthrough

Higher frequency analog input signals may couple to the output through internal stray capacitance. Analog feedthrough is tested by holding \overline{CS} high, setting the DAC code to all 0s, sweeping the frequency applied to REFIN, and monitoring the DAC output.

Revision History

NOTE: Page numbers for previous revisions may differ from page numbers in the current version.

Changes from D Revision (August 2003) to E Revision	Page
• Added ESD statement.	2
• Changed —moved package option table from front page.....	2

PACKAGING INFORMATION

Orderable Device	Status (1)	Package Type	Package Drawing	Pins	Package Qty	Eco Plan (2)	Lead/Ball Finish (6)	MSL Peak Temp (3)	Op Temp (°C)	Device Marking (4/5)	Samples
TLC5615CD	ACTIVE	SOIC	D	8	75	Green (RoHS & no Sb/Br)	CU NIPDAU	Level-1-260C-UNLIM	0 to 70	5615C	Samples
TLC5615CDG4	ACTIVE	SOIC	D	8	75	Green (RoHS & no Sb/Br)	CU NIPDAU	Level-1-260C-UNLIM	0 to 70	5615C	Samples
TLC5615CDGK	ACTIVE	VSSOP	DGK	8	80	Green (RoHS & no Sb/Br)	CU NIPDAUAG	Level-1-260C-UNLIM	0 to 70	AEM	Samples
TLC5615CDGKG4	ACTIVE	VSSOP	DGK	8	80	Green (RoHS & no Sb/Br)	CU NIPDAUAG	Level-1-260C-UNLIM	0 to 70	AEM	Samples
TLC5615CDGKR	ACTIVE	VSSOP	DGK	8	2500	Green (RoHS & no Sb/Br)	CU NIPDAUAG	Level-1-260C-UNLIM	0 to 70	AEM	Samples
TLC5615CDR	ACTIVE	SOIC	D	8	2500	Green (RoHS & no Sb/Br)	CU NIPDAU	Level-1-260C-UNLIM	0 to 70	5615C	Samples
TLC5615CDRG4	ACTIVE	SOIC	D	8	2500	Green (RoHS & no Sb/Br)	CU NIPDAU	Level-1-260C-UNLIM	0 to 70	5615C	Samples
TLC5615CP	ACTIVE	PDIP	P	8	50	Pb-Free (RoHS)	CU NIPDAU	N / A for Pkg Type	0 to 70	TLC5615CP	Samples
TLC5615ID	ACTIVE	SOIC	D	8	75	Green (RoHS & no Sb/Br)	CU NIPDAU	Level-1-260C-UNLIM	-40 to 85	5615I	Samples
TLC5615IDG4	ACTIVE	SOIC	D	8	75	Green (RoHS & no Sb/Br)	CU NIPDAU	Level-1-260C-UNLIM	-40 to 85	5615I	Samples
TLC5615IDGK	ACTIVE	VSSOP	DGK	8	80	Green (RoHS & no Sb/Br)	CU NIPDAUAG	Level-1-260C-UNLIM	-40 to 85	AEN	Samples
TLC5615IDGKG4	ACTIVE	VSSOP	DGK	8	80	Green (RoHS & no Sb/Br)	CU NIPDAUAG	Level-1-260C-UNLIM	-40 to 85	AEN	Samples
TLC5615IDR	ACTIVE	SOIC	D	8	2500	Green (RoHS & no Sb/Br)	CU NIPDAU	Level-1-260C-UNLIM	-40 to 85	5615I	Samples
TLC5615IDRG4	ACTIVE	SOIC	D	8	2500	Green (RoHS & no Sb/Br)	CU NIPDAU	Level-1-260C-UNLIM	-40 to 85	5615I	Samples
TLC5615IP	ACTIVE	PDIP	P	8	50	Pb-Free (RoHS)	CU NIPDAU	N / A for Pkg Type	-40 to 85	TLC5615IP	Samples
TLC5615IPE4	ACTIVE	PDIP	P	8	50	Pb-Free (RoHS)	CU NIPDAU	N / A for Pkg Type	-40 to 85	TLC5615IP	Samples

(1) The marketing status values are defined as follows:
ACTIVE: Product device recommended for new designs.

LIFEBUY: TI has announced that the device will be discontinued, and a lifetime-buy period is in effect.

NRND: Not recommended for new designs. Device is in production to support existing customers, but TI does not recommend using this part in a new design.

PREVIEW: Device has been announced but is not in production. Samples may or may not be available.

OBSELETE: TI has discontinued the production of the device.

⁽²⁾ Eco Plan - The planned eco-friendly classification: Pb-Free (RoHS), Pb-Free (RoHS Exempt), or Green (RoHS & no Sb/Br) - please check <http://www.ti.com/productcontent> for the latest availability information and additional product content details.

TBD: The Pb-Free/Green conversion plan has not been defined.

Pb-Free (RoHS): TI's terms "Lead-Free" or "Pb-Free" mean semiconductor products that are compatible with the current RoHS requirements for all 6 substances, including the requirement that lead not exceed 0.1% by weight in homogeneous materials. Where designed to be soldered at high temperatures, TI Pb-Free products are suitable for use in specified lead-free processes.

Pb-Free (RoHS Exempt): This component has a RoHS exemption for either 1) lead-based flip-chip solder bumps used between the die and package, or 2) lead-based die adhesive used between the die and leadframe. The component is otherwise considered Pb-Free (RoHS compatible) as defined above.

Green (RoHS & no Sb/Br): TI defines "Green" to mean Pb-Free (RoHS compatible), and free of Bromine (Br) and Antimony (Sb) based flame retardants (Br or Sb do not exceed 0.1% by weight in homogeneous material)

⁽³⁾ MSL, Peak Temp. - The Moisture Sensitivity Level rating according to the JEDEC industry standard classifications, and peak solder temperature.

⁽⁴⁾ There may be additional marking, which relates to the logo, the lot trace code information, or the environmental category on the device.

⁽⁵⁾ Multiple Device Markings will be inside parentheses. Only one Device Marking contained in parentheses and separated by a "~" will appear on a device. If a line is indented then it is a continuation of the previous line and the two combined represent the entire Device Marking for that device.

⁽⁶⁾ Lead/Ball Finish - Orderable Devices may have multiple material finish options. Finish options are separated by a vertical ruled line. Lead/Ball Finish values may wrap to two lines if the finish value exceeds the maximum column width.

Important Information and Disclaimer:The information provided on this page represents TI's knowledge and belief as of the date that it is provided. TI bases its knowledge and belief on information provided by third parties, and makes no representation or warranty as to the accuracy of such information. Efforts are underway to better integrate information from third parties. TI has taken and continues to take reasonable steps to provide representative and accurate information but may not have conducted destructive testing or chemical analysis on incoming materials and chemicals. TI and TI suppliers consider certain information to be proprietary, and thus CAS numbers and other limited information may not be available for release.

In no event shall TI's liability arising out of such information exceed the total purchase price of the TI part(s) at issue in this document sold by TI to Customer on an annual basis.

TAPE AND REEL INFORMATION
REEL DIMENSIONS

TAPE DIMENSIONS


A0	Dimension designed to accommodate the component width
B0	Dimension designed to accommodate the component length
K0	Dimension designed to accommodate the component thickness
W	Overall width of the carrier tape
P1	Pitch between successive cavity centers

TAPE AND REEL INFORMATION

*All dimensions are nominal

Device	Package Type	Package Drawing	Pins	SPQ	Reel Diameter (mm)	Reel Width W1 (mm)	A0 (mm)	B0 (mm)	K0 (mm)	P1 (mm)	W (mm)	Pin1 Quadrant
TLC5615CDGKR	VSSOP	DGK	8	2500	330.0	12.4	5.3	3.4	1.4	8.0	12.0	Q1
TLC5615CDR	SOIC	D	8	2500	330.0	12.4	6.4	5.2	2.1	8.0	12.0	Q1
TLC5615CDR	SOIC	D	8	2500	330.0	12.4	6.4	5.2	2.1	8.0	12.0	Q1
TLC5615IDR	SOIC	D	8	2500	330.0	12.4	6.4	5.2	2.1	8.0	12.0	Q1
TLC5615IDR	SOIC	D	8	2500	330.0	12.4	6.4	5.2	2.1	8.0	12.0	Q1

TAPE AND REEL BOX DIMENSIONS


*All dimensions are nominal

Device	Package Type	Package Drawing	Pins	SPQ	Length (mm)	Width (mm)	Height (mm)
TLC5615CDGKR	VSSOP	DGK	8	2500	367.0	367.0	35.0
TLC5615CDR	SOIC	D	8	2500	367.0	367.0	35.0
TLC5615CDR	SOIC	D	8	2500	340.5	338.1	20.6
TLC5615IDR	SOIC	D	8	2500	340.5	338.1	20.6
TLC5615IDR	SOIC	D	8	2500	367.0	367.0	35.0

P (R-PDIP-T8)

PLASTIC DUAL-IN-LINE PACKAGE



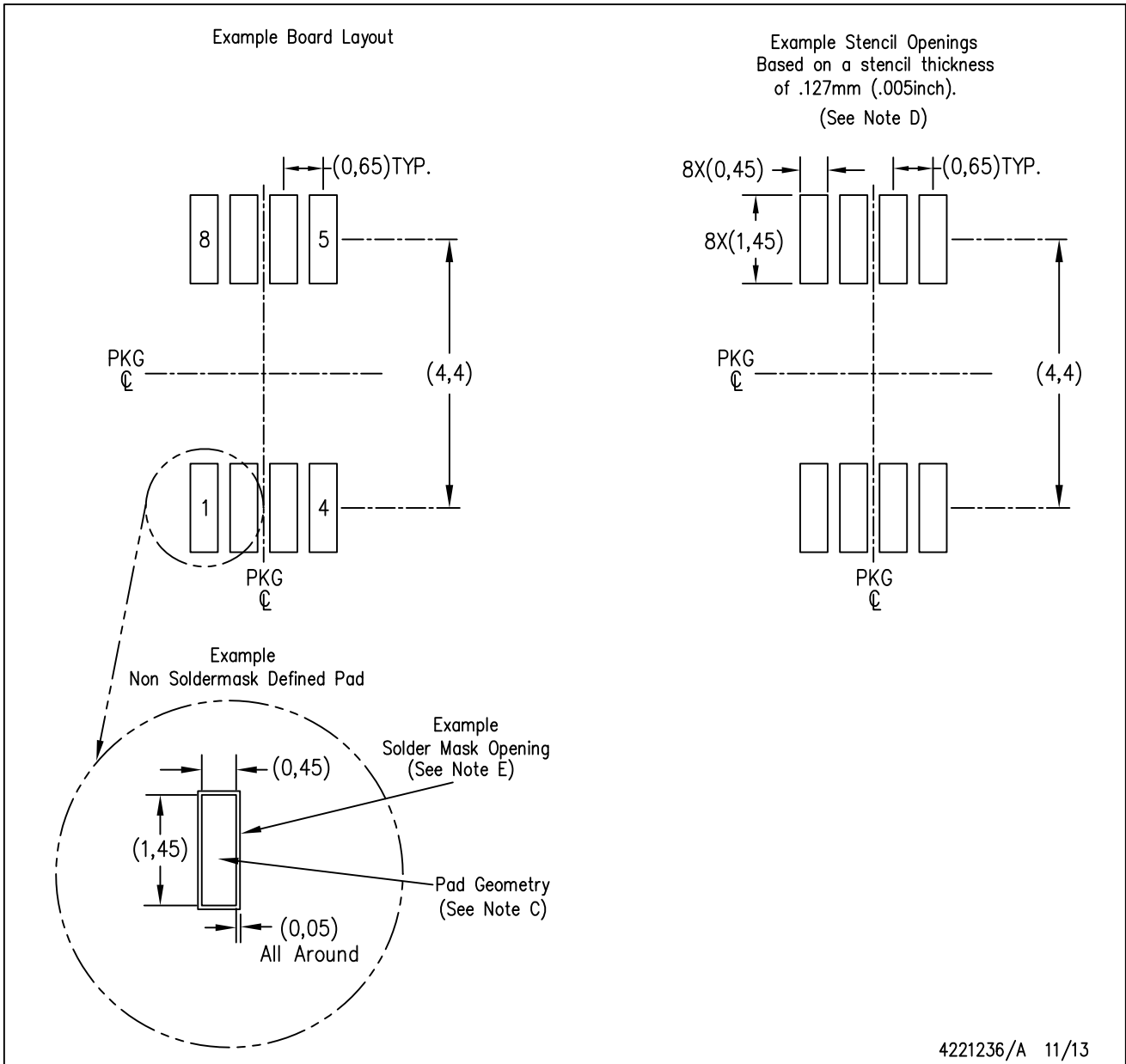
- NOTES:
- A. All linear dimensions are in inches (millimeters).
 - B. This drawing is subject to change without notice.
 - C. Falls within JEDEC MS-001 variation BA.

DGK (S-PDSO-G8)

PLASTIC SMALL-OUTLINE PACKAGE



- NOTES:
- All linear dimensions are in millimeters.
 - This drawing is subject to change without notice.
 - Body length does not include mold flash, protrusions, or gate burrs. Mold flash, protrusions, or gate burrs shall not exceed 0.15 per end.
 - Body width does not include interlead flash. Interlead flash shall not exceed 0.50 per side.
 - Falls within JEDEC MO-187 variation AA, except interlead flash.



- NOTES:
- A. All linear dimensions are in millimeters.
 - B. This drawing is subject to change without notice.
 - C. Publication IPC-7351 is recommended for alternate designs.
 - D. Laser cutting apertures with trapezoidal walls and also rounding corners will offer better paste release. Customers should contact their board assembly site for stencil design recommendations. Refer to IPC-7525 for other stencil recommendations.
 - E. Customers should contact their board fabrication site for solder mask tolerances between and around signal pads.

D (R-PDSO-G8)

PLASTIC SMALL OUTLINE



- NOTES:
- All linear dimensions are in millimeters.
 - This drawing is subject to change without notice.
 - Publication IPC-7351 is recommended for alternate designs.
 - Laser cutting apertures with trapezoidal walls and also rounding corners will offer better paste release. Customers should contact their board assembly site for stencil design recommendations. Refer to IPC-7525 for other stencil recommendations.
 - Customers should contact their board fabrication site for solder mask tolerances between and around signal pads.

IMPORTANT NOTICE

Texas Instruments Incorporated and its subsidiaries (TI) reserve the right to make corrections, enhancements, improvements and other changes to its semiconductor products and services per JESD46, latest issue, and to discontinue any product or service per JESD48, latest issue. Buyers should obtain the latest relevant information before placing orders and should verify that such information is current and complete. All semiconductor products (also referred to herein as "components") are sold subject to TI's terms and conditions of sale supplied at the time of order acknowledgment.

TI warrants performance of its components to the specifications applicable at the time of sale, in accordance with the warranty in TI's terms and conditions of sale of semiconductor products. Testing and other quality control techniques are used to the extent TI deems necessary to support this warranty. Except where mandated by applicable law, testing of all parameters of each component is not necessarily performed.

TI assumes no liability for applications assistance or the design of Buyers' products. Buyers are responsible for their products and applications using TI components. To minimize the risks associated with Buyers' products and applications, Buyers should provide adequate design and operating safeguards.

TI does not warrant or represent that any license, either express or implied, is granted under any patent right, copyright, mask work right, or other intellectual property right relating to any combination, machine, or process in which TI components or services are used. Information published by TI regarding third-party products or services does not constitute a license to use such products or services or a warranty or endorsement thereof. Use of such information may require a license from a third party under the patents or other intellectual property of the third party, or a license from TI under the patents or other intellectual property of TI.

Reproduction of significant portions of TI information in TI data books or data sheets is permissible only if reproduction is without alteration and is accompanied by all associated warranties, conditions, limitations, and notices. TI is not responsible or liable for such altered documentation. Information of third parties may be subject to additional restrictions.

Resale of TI components or services with statements different from or beyond the parameters stated by TI for that component or service voids all express and any implied warranties for the associated TI component or service and is an unfair and deceptive business practice. TI is not responsible or liable for any such statements.

Buyer acknowledges and agrees that it is solely responsible for compliance with all legal, regulatory and safety-related requirements concerning its products, and any use of TI components in its applications, notwithstanding any applications-related information or support that may be provided by TI. Buyer represents and agrees that it has all the necessary expertise to create and implement safeguards which anticipate dangerous consequences of failures, monitor failures and their consequences, lessen the likelihood of failures that might cause harm and take appropriate remedial actions. Buyer will fully indemnify TI and its representatives against any damages arising out of the use of any TI components in safety-critical applications.

In some cases, TI components may be promoted specifically to facilitate safety-related applications. With such components, TI's goal is to help enable customers to design and create their own end-product solutions that meet applicable functional safety standards and requirements. Nonetheless, such components are subject to these terms.

No TI components are authorized for use in FDA Class III (or similar life-critical medical equipment) unless authorized officers of the parties have executed a special agreement specifically governing such use.

Only those TI components which TI has specifically designated as military grade or "enhanced plastic" are designed and intended for use in military/aerospace applications or environments. Buyer acknowledges and agrees that any military or aerospace use of TI components which have *not* been so designated is solely at the Buyer's risk, and that Buyer is solely responsible for compliance with all legal and regulatory requirements in connection with such use.

TI has specifically designated certain components as meeting ISO/TS16949 requirements, mainly for automotive use. In any case of use of non-designated products, TI will not be responsible for any failure to meet ISO/TS16949.

Products

Audio	www.ti.com/audio
Amplifiers	amplifier.ti.com
Data Converters	dataconverter.ti.com
DLP® Products	www.dlp.com
DSP	dsp.ti.com
Clocks and Timers	www.ti.com/clocks
Interface	interface.ti.com
Logic	logic.ti.com
Power Mgmt	power.ti.com
Microcontrollers	microcontroller.ti.com
RFID	www.ti-rfid.com
OMAP Applications Processors	www.ti.com/omap
Wireless Connectivity	www.ti.com/wirelessconnectivity

Applications

Automotive and Transportation	www.ti.com/automotive
Communications and Telecom	www.ti.com/communications
Computers and Peripherals	www.ti.com/computers
Consumer Electronics	www.ti.com/consumer-apps
Energy and Lighting	www.ti.com/energy
Industrial	www.ti.com/industrial
Medical	www.ti.com/medical
Security	www.ti.com/security
Space, Avionics and Defense	www.ti.com/space-avionics-defense
Video and Imaging	www.ti.com/video

TI E2E Community

e2e.ti.com