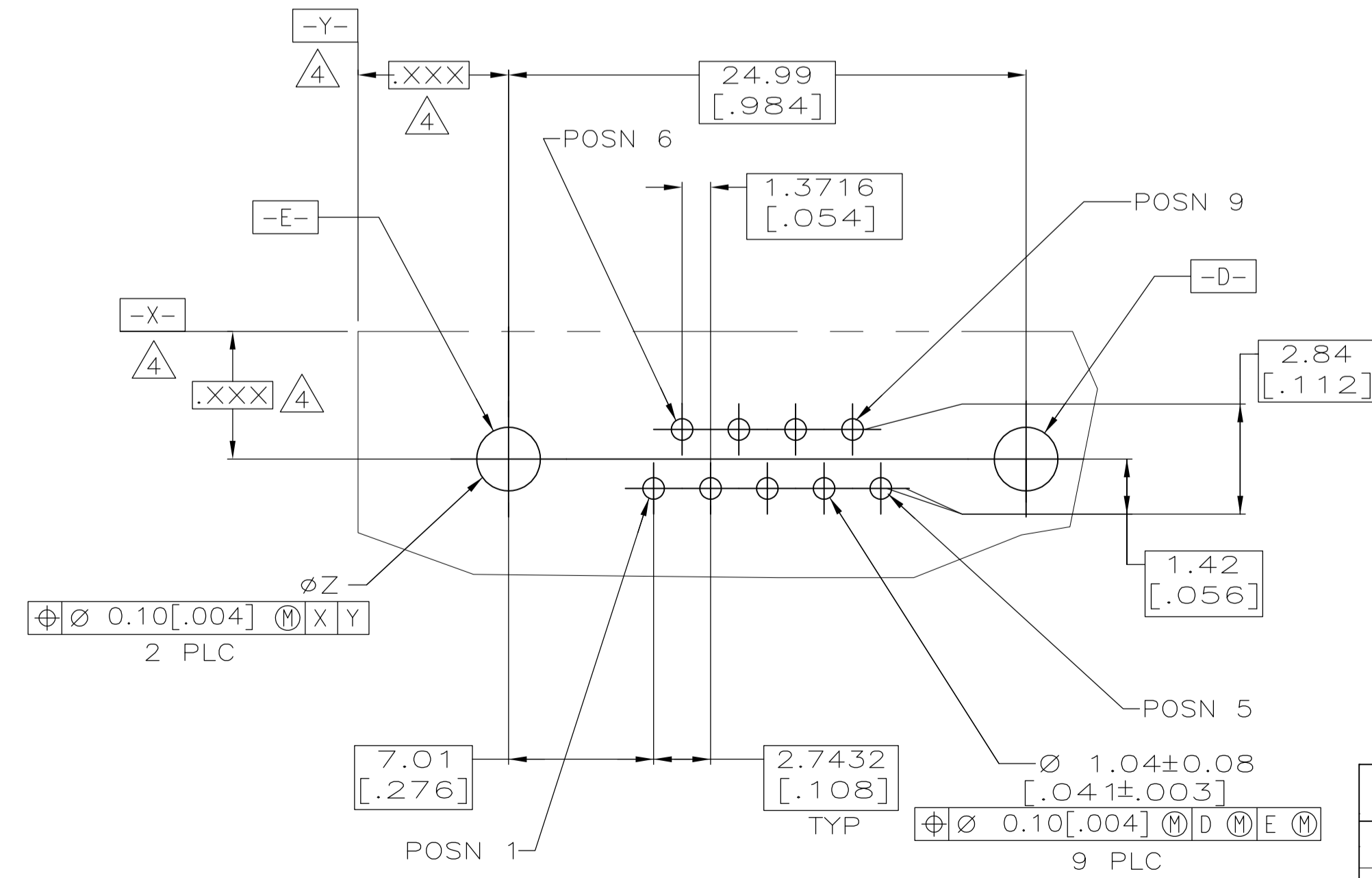
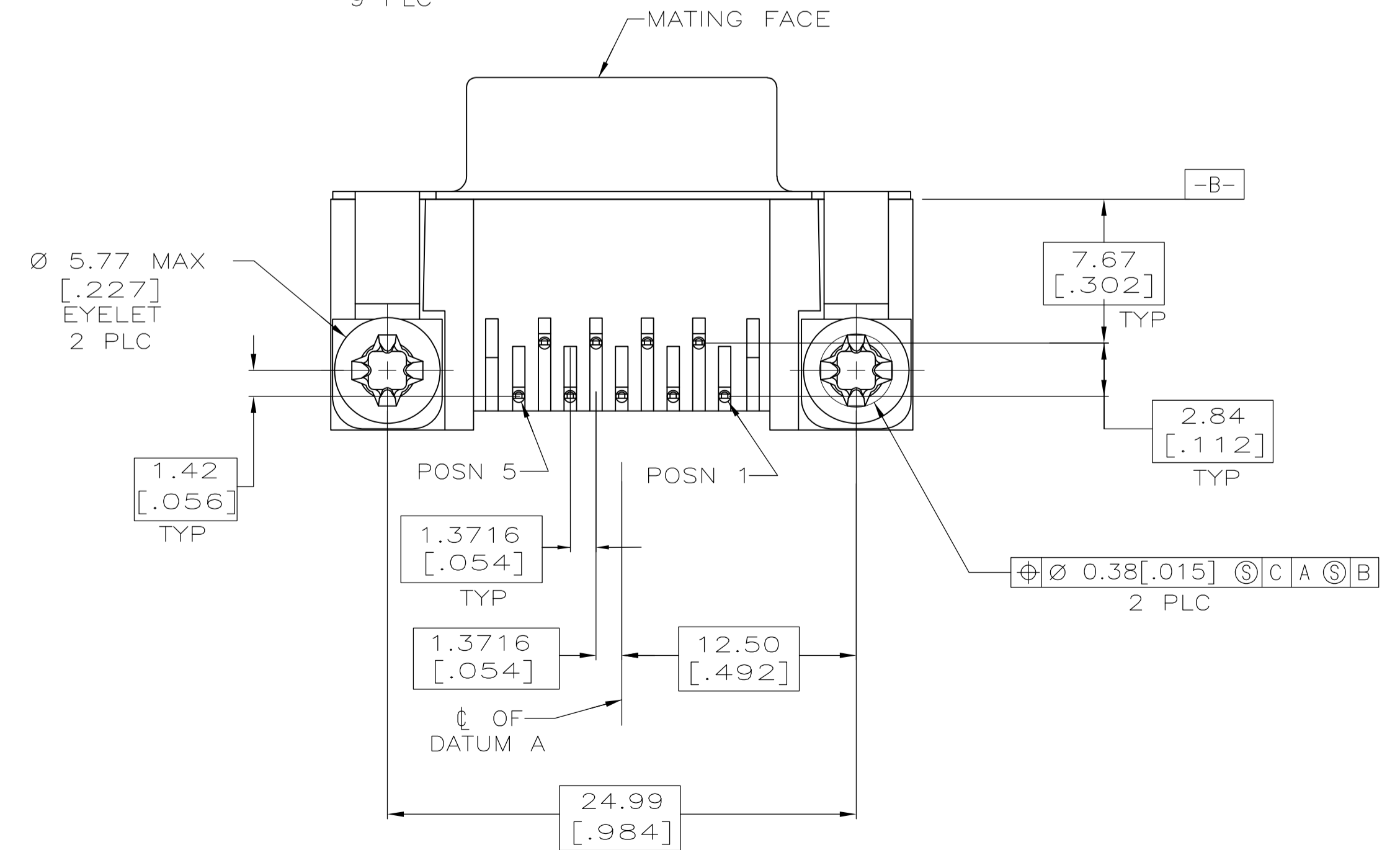
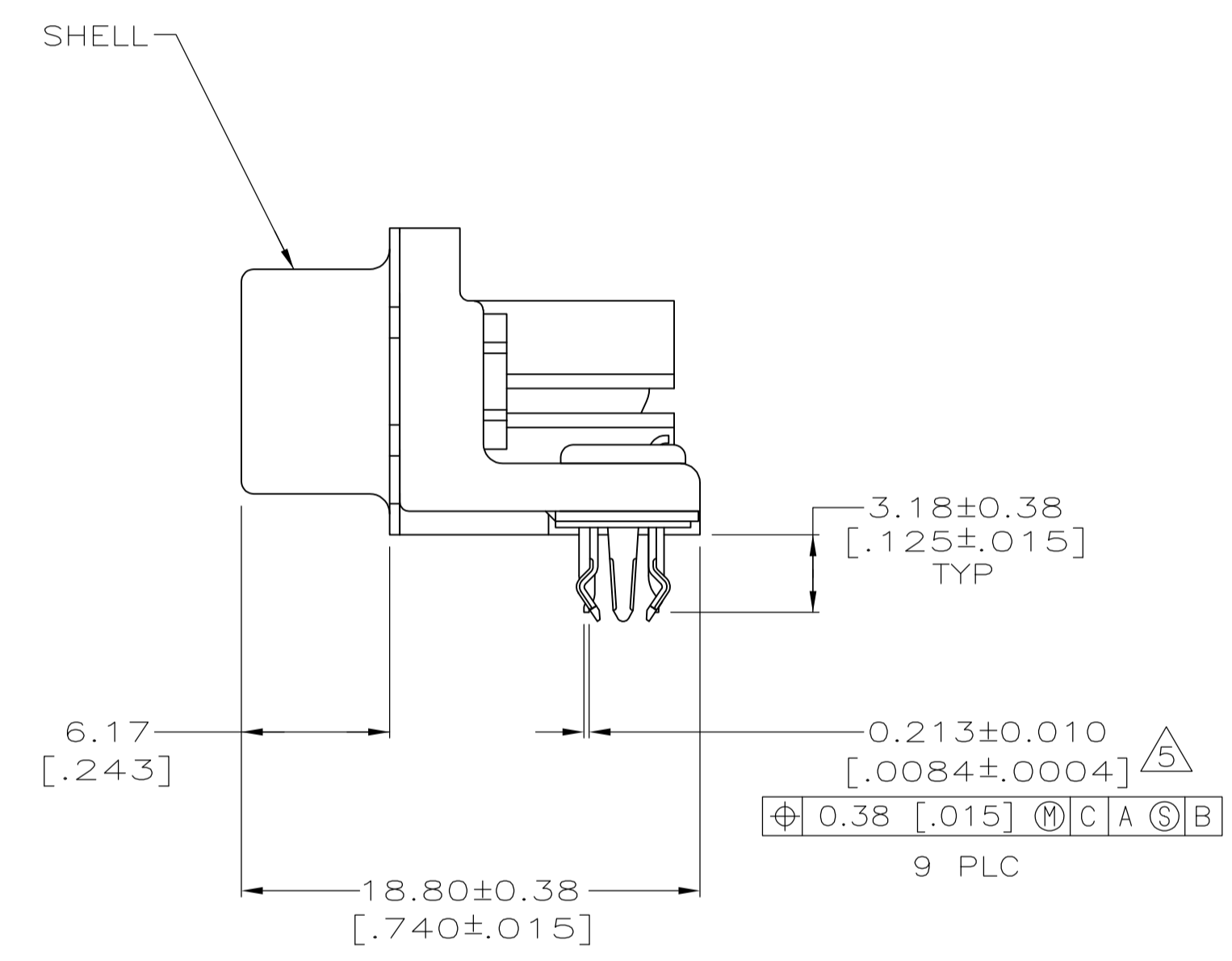
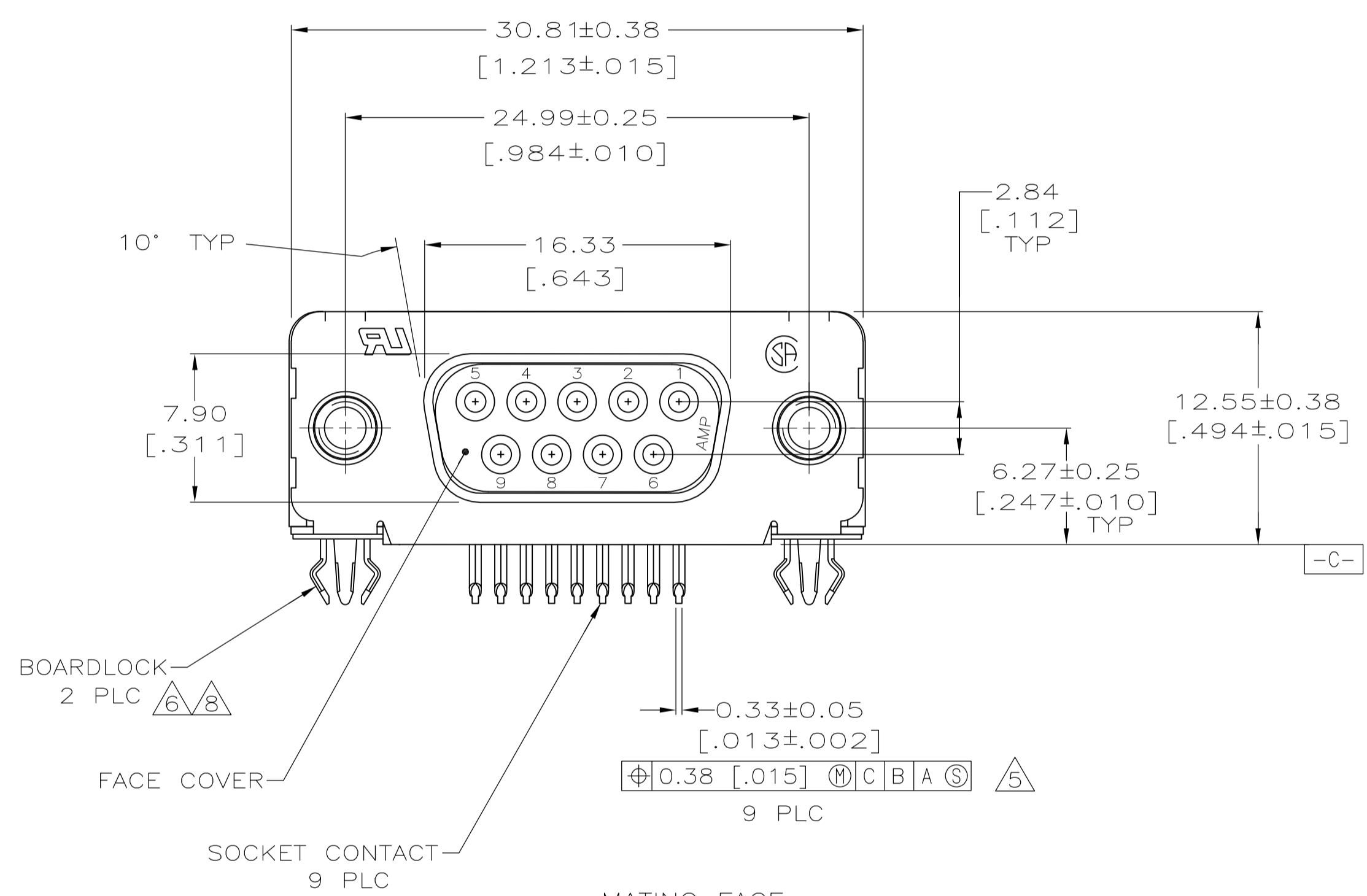
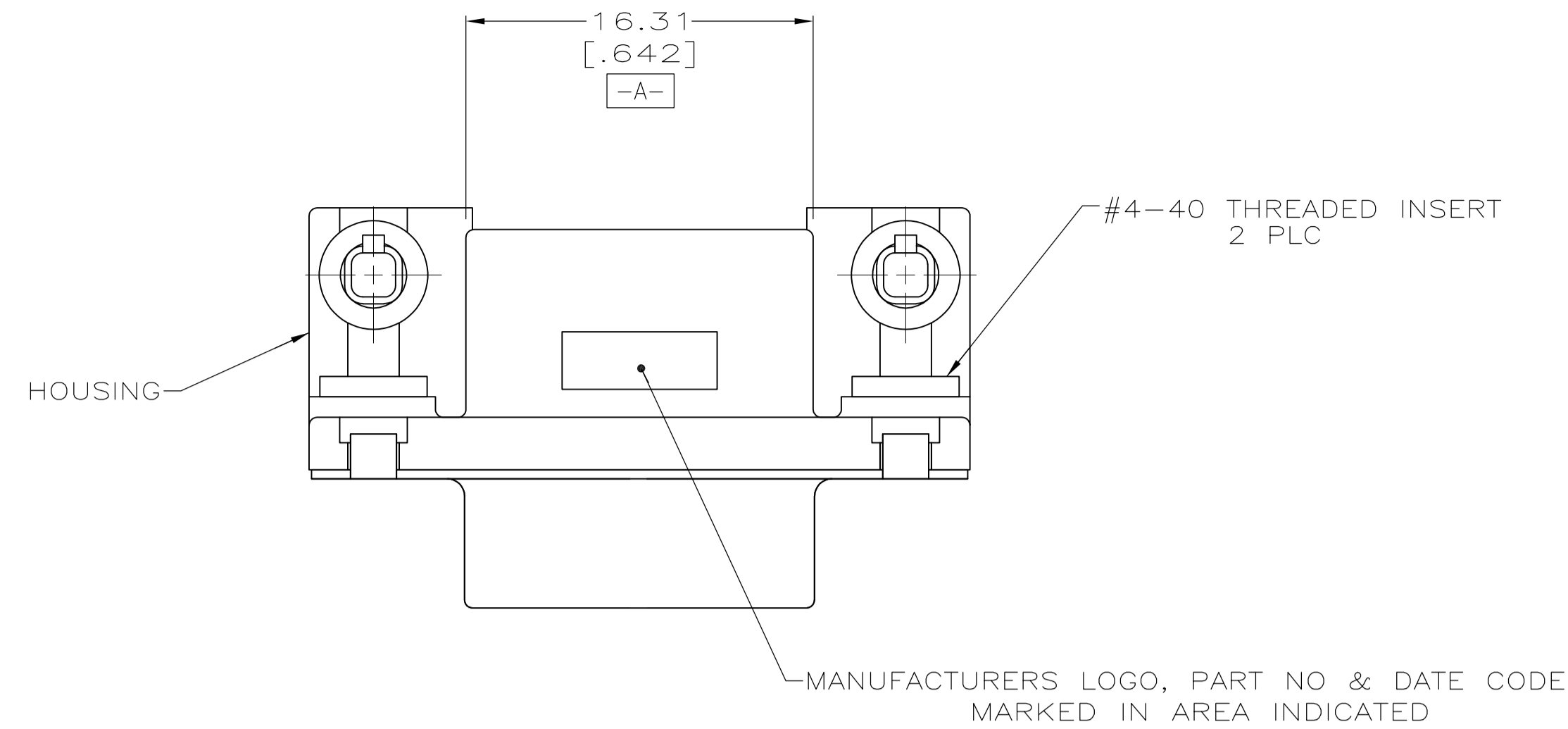


**COPYRIGHT 2005
TE CONNECTIVITY CORP
ALL RIGHTS RESERVED**

REVISONS		DATE	DWN	APVD
P	REVISED PER ECO-11-004835	11MAR11	RK	HMR



- △ HOUSING & FACE COVER: NYLON, THERMOPLASTIC, UL 94VO RATED, BLACK; SHELL: CARBON STEEL; SOCKET CONTACTS: PHOSPHOR BRONZE; EYELETS: BRASS; THREADED INSERTS: ZINC; BOARDLOCKS: COPPER ALLOY.
- △ SOCKET CONTACTS: GOLD PLATED FOR A LENGTH OF 1.27 [.050] MIN FROM MATING END, 0.76µm [.000030] MIN GOLD IN MATED AREA, 2.54µm [.000100] MIN TIN FOR A LENGTH OF 3.56 [.140] MIN FROM OPPOSITE END, BOTH OVER 1.27µm [.000050] MIN NICKEL. EYELETS: 2.54µm [.000100] MIN TIN OVER COPPER FLASH. SHELL: 2.54µm [.000100] MIN TIN OVER 1.27µm [.000050] MIN COPPER. THREADED INSERTS: CLEAR CHROMATE. BOARDLOCKS: 3.81µm [.000150] MIN TIN OVER 1.27µm [.000050] MIN NICKEL.
- △ SOCKET CONTACTS: GOLD PLATED FOR A LENGTH OF 1.27 [.050] MIN FROM MATING END, GOLD FLASH IN MATED AREA, 2.54µm [.000100] MIN TIN FOR A LENGTH OF 3.56 [.140] MIN FROM OPPOSITE END, BOTH OVER 1.27µm [.000050] MIN NICKEL. EYELETS: 2.54µm [.000100] MIN TIN OVER COPPER FLASH. SHELL: 2.54µm [.000100] MIN TIN OVER 1.27µm [.000050] MIN COPPER. THREADED INSERTS: CLEAR CHROMATE. BOARDLOCKS: 3.81µm [.000150] MIN TIN OVER 1.27µm [.000050] MIN NICKEL.
- △ DATUMS AND BASIC DIMENSIONS ESTABLISHED BY CUSTOMER.
- △ POSITION TOLERANCE APPLIES AT CONTACT TIP.
- △ BOARDLOCKS WILL ACCEPT .062 MAX PRINTED CIRCUIT BOARD THICKNESS.
- 7. COMPATIBLE WITH TYPICAL HIGH TEMPERATURE SOLDERING APPLICATIONS TO A MAXIMUM OF 225°C FOR A MAXIMUM DURATION OF 90 SECONDS. TEMPERATURE TO BE MEASURED ON CONNECTOR SURFACE.
- △ 5788796-4 DOES NOT HAVE BOARDLOCKS
- △ OBSOLETE PARTS: OBSOLETE CIS STREAMLINING PER D.RENAUD/D.SINISI

RECOMMENDED PC BOARD LAYOUT
1.57 [.062] PC BOARD THICKNESS

QTY	DESCRIPTION	FINISH	PART NO
9	OBSOLETE		-5788796-4
	3.05 [.120]	TRAYS	
	3.18±0.08 [.125±.003]	TUBES	5788796-3
	3.18±0.08 [.125±.003]	TRAYS	5788796-2
	3.18±0.08 [.125±.003]	TRAYS	5788796-1
	ØZ	PACKAGING	

THIS DRAWING IS A CONTROLLED DOCUMENT.

DIMENSIONS: mm [INCHES]	TOLERANCES UNLESS OTHERWISE SPECIFIED:	DIN J. ALCORTA - DOCK5 04-11-05	APVD S. BOLASH 04-11-05	NAME
0 PLC ± -	1 PLC ± -			
2 PLC ± 0.13 [.005]	3 PLC ± -			
4 PLC ± -	ANGLES ± °			
MATERIAL	FINISH	WEIGHT	SIZE	CAGE CODE
	SEE TABLE		A1	00779
CUSTOMER DRAWING		SCALE	SHEET	REV
		4:1	1 of 1	P

RCPT ASSEMBLY, SIZE 1, .318 SERIES, WITH FRONT METAL SHELL, HIGH TEMPERATURE, AMPLIMITE HD-20

TE Connectivity