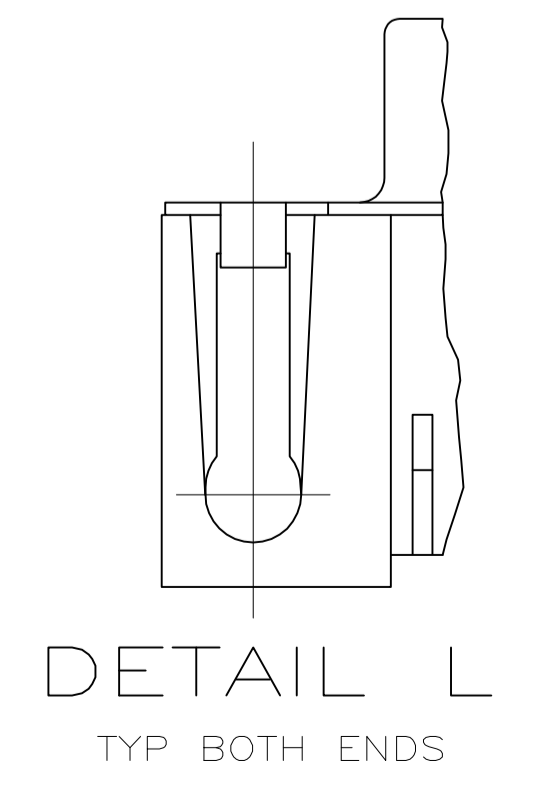
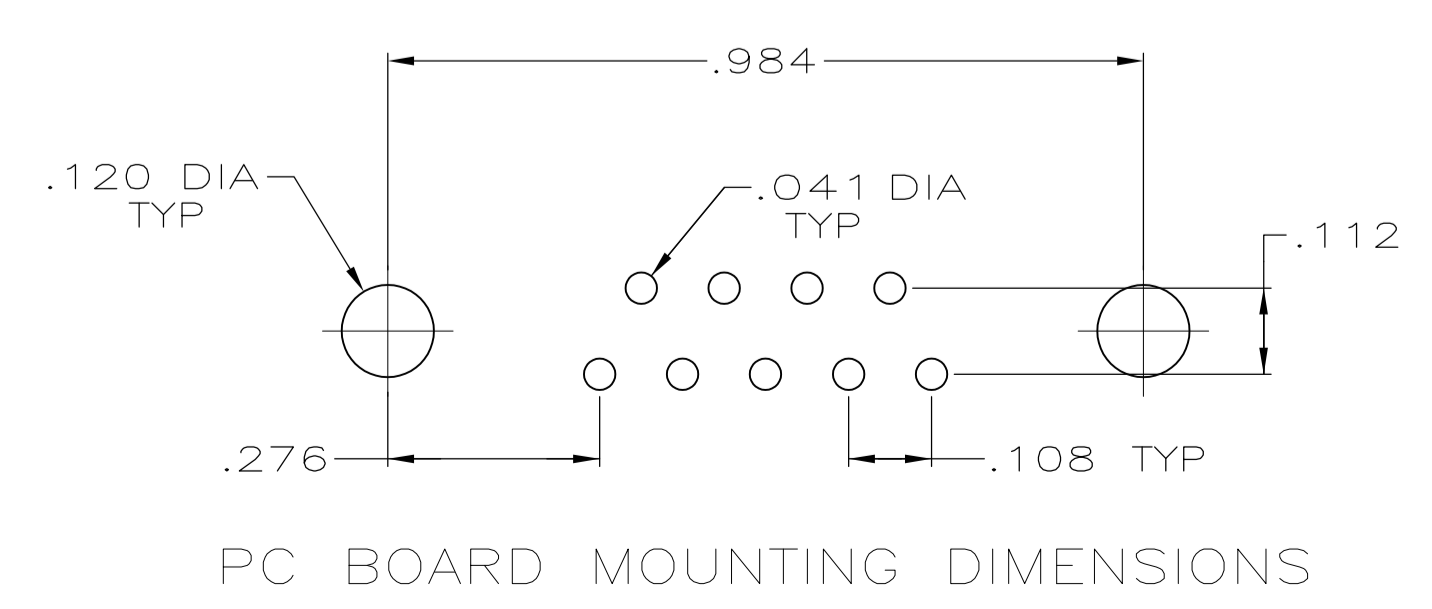
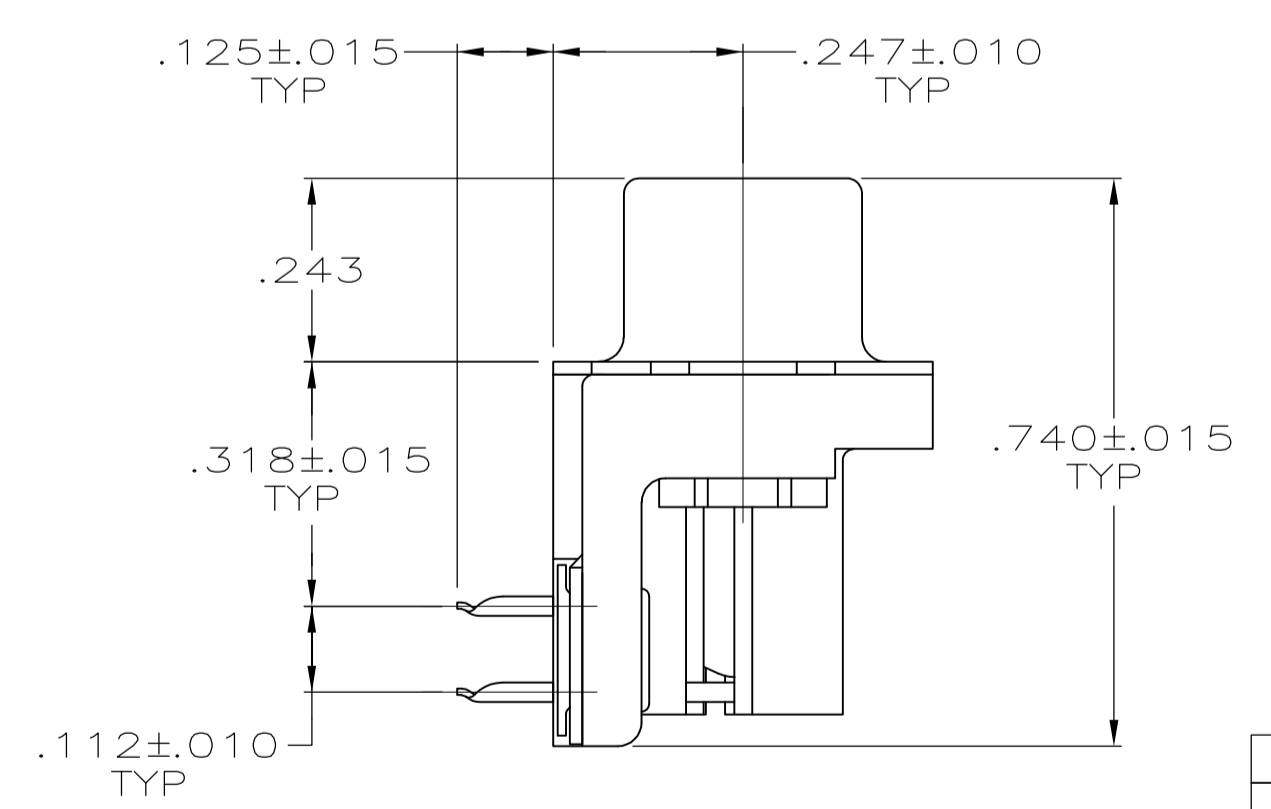
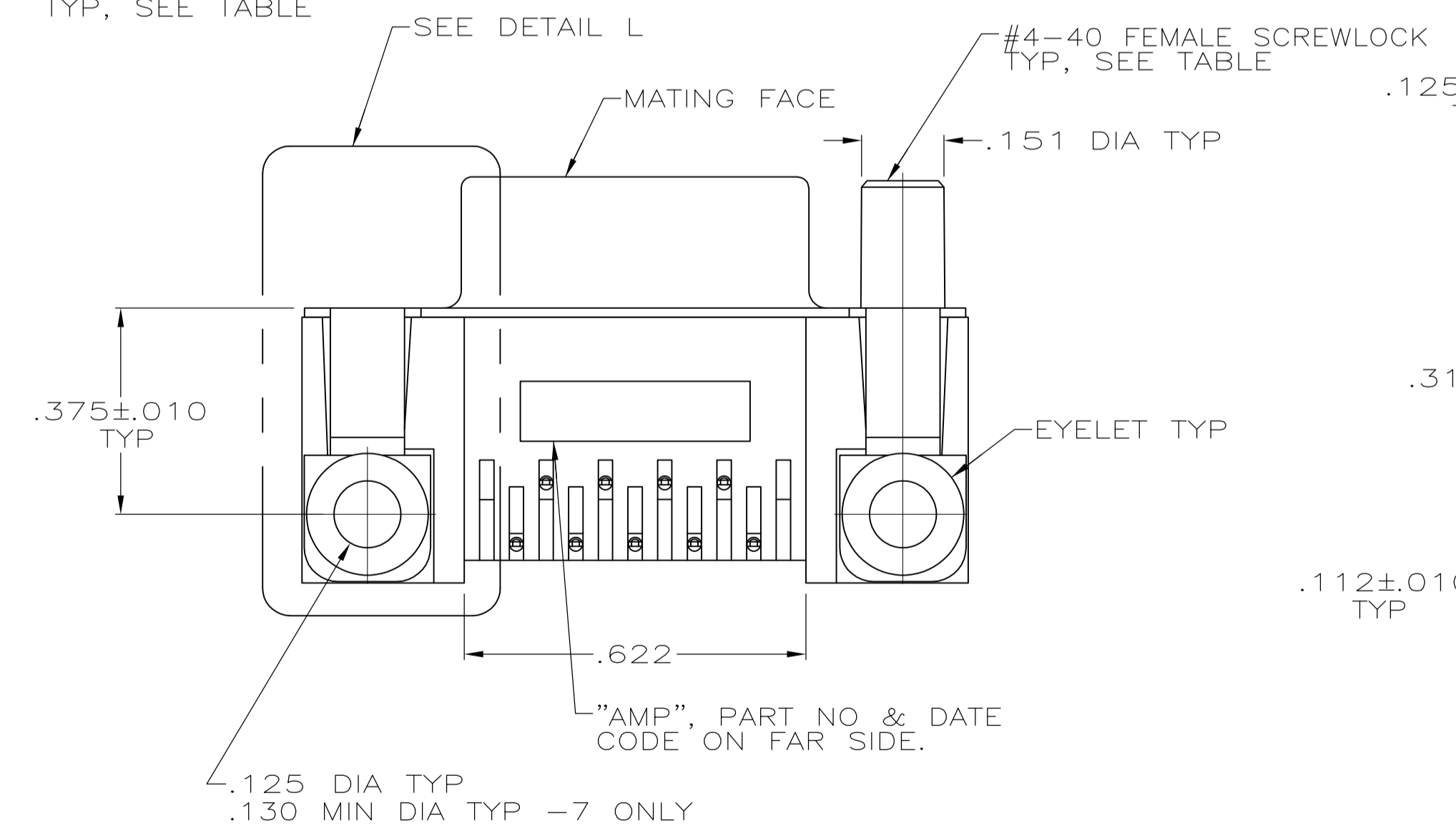
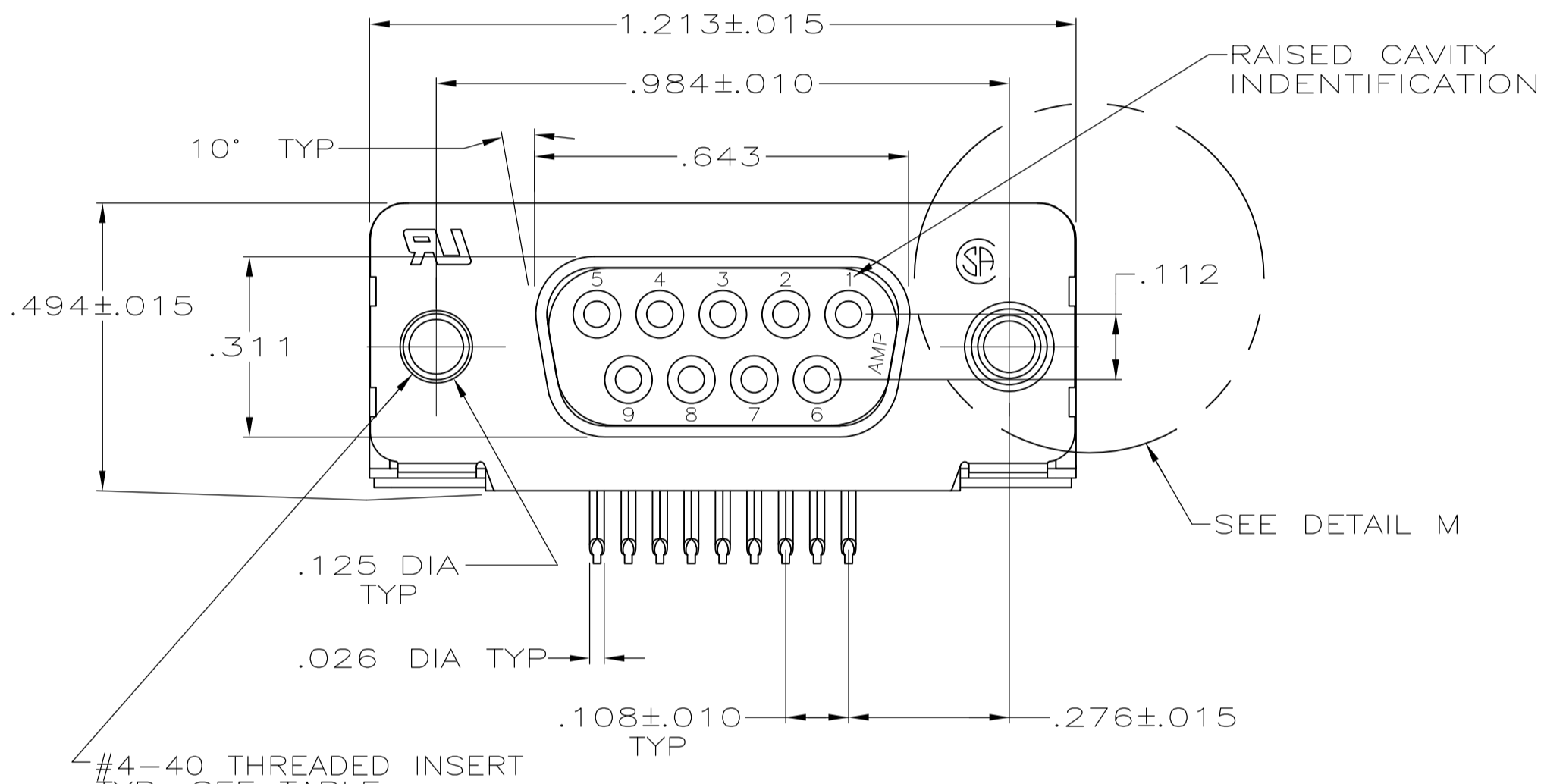


- CONNECTOR MATES WITH ANY 9 POSN PLUG IN AMPLIMITE™ SERIES & COMPLIES WITH AMP SPEC 108-40005 WHERE APPLICABLE.
- MOLDED PARTS: FLAME RETARDANT 94V-0 RATED THERMOPLASTIC, BLACK.
SHELL: STEEL PER ASTM A109
CONTACTS: PHOSPHOR BRONZE PER QQ-B-750
EYELETS: BRASS
SCREWLOCKS: ZINC
INSERTS: ZINC
- SHELL: TIN PLATED
CONTACTS: SEE TABLE
EYELETS: TIN PLATED
SCREWLOCKS: CLEAR CHROMATE
INSERTS: CLEAR CHROMATE
- GOLD PLATING PER MIL-G-45204, NICKEL PLATING PER QQ-N-290, TIN PER MIL-T-10727.
- GOLD FLASH FOR A DISTANCE OF .100 MIN FROM MATING END, TIN PLATED .000100-.000200 ON OPPOSITE END, ALL OVER .000050 NICKEL.
- .000030 GOLD FOR A DISTANCE OF .100 MIN FROM MATING END, TIN PLATED .000100-.000200 ON OPPOSITE END, ALL OVER .000050 NICKEL.
- .000015 MIN GOLD FOR A DISTANCE OF .100 MIN FROM MATING END, TIN PLATED .000100-.000200 ON OPPOSITE END, ALL OVER .000030 NICKEL.
- SCREWLOCKS REQUIRED FOR 1--5 CONNECTOR ASSEMBLIES WILL BE BULK PACKED & SHIPPED WITH CONNECTORS.
- SCREWLOCKS & LOCK WASHERS FOR 1--6 CONNECTOR ASSEMBLIES WILL BE BULK PACKED & SHIPPED WITH CONNECTORS.



OBSOLETE	THREADED INSERTS, SCREWLOCKS & LK WASH	GROUNDING STRAPS	6	1-745781-6
OBSOLETE	FEMALE SCREWLOCKS & THREADED INSERTS	GROUNDING STRAPS	5	1-745781-5
OBSOLETE	NONE	GROUNDING STRAPS	7	1-745781-4
OBSOLETE	FEMALE SCREWLOCKS	CLINCH TABS (SEE DETAIL L)	6	1-745781-3
OBSOLETE	FEMALE SCREWLOCKS	CLINCH TABS (SEE DETAIL L)	5	1-745781-2
SUPSD BY 745781-4	THREADED INSERTS	CLINCH TABS (SEE DETAIL L)	6	1-745781-1
SUPSD BY 745781-4	THREADED INSERTS	CLINCH TABS (SEE DETAIL L)	5	1-745781-0
OBSOLETE	NONE	CLINCH TABS (SEE DETAIL L)	6	745781-9
OBSOLETE	NONE	CLINCH TABS (SEE DETAIL L)	5	745781-8
OBSOLETE	FEMALE SCREWLOCKS	GROUNDING STRAPS	7	745781-7
OBSOLETE	FEMALE SCREWLOCKS	GROUNDING STRAPS	6	745781-6
SUPSD BY 745781-6	FEMALE SCREWLOCKS	GROUNDING STRAPS	5	745781-5
OBSOLETE	THREADED INSERTS	GROUNDING STRAPS	6	745781-4
OBSOLETE	THREADED INSERTS	GROUNDING STRAPS	5	745781-3
OBSOLETE	NONE	GROUNDING STRAPS	6	745781-2
SUPSD BY 745781-2	NONE	GROUNDING STRAPS	5	745781-1

MOUNTING HARDWARE		SHELL VERSION		CONTACT FINISH	PART NUMBER
THIS DRAWING IS A CONTROLLED DOCUMENT.		BIN J GALLUCCI BG 1-23-91		STE TE Connectivity	
DIMENSIONS: INCHES		TOLERANCES UNLESS OTHERWISE SPECIFIED:		RCPT ASSY, SIZE 1, 9 POSN, RTANG, AMPLIMITE™	
0 PLC ± -		1 PLC ± -		RCPT ASSY, SIZE 1, 9 POSN, RTANG, AMPLIMITE™	
1 PLC ± -		2 PLC ± -		RCPT ASSY, SIZE 1, 9 POSN, RTANG, AMPLIMITE™	
2 PLC ± -		3 PLC ± .005		RCPT ASSY, SIZE 1, 9 POSN, RTANG, AMPLIMITE™	
3 PLC ± -		4 PLC ± -		RCPT ASSY, SIZE 1, 9 POSN, RTANG, AMPLIMITE™	
4 PLC ± -		ANGLES ± ±		RCPT ASSY, SIZE 1, 9 POSN, RTANG, AMPLIMITE™	
MATERIAL		FINISH		RCPT ASSY, SIZE 1, 9 POSN, RTANG, AMPLIMITE™	
APVD R STONE 4-26-91		NAME J.W. YOUNG 4-26-91		RCPT ASSY, SIZE 1, 9 POSN, RTANG, AMPLIMITE™	
PRODUCT SPEC 108-40025		APPLICATION SPEC 114-40010		RCPT ASSY, SIZE 1, 9 POSN, RTANG, AMPLIMITE™	
SIZE A1		CAGE CODE 00779		DRAWING NO. 745781	
WEIGHT		SCALE 4:1		SHEET 1 OF 1	
CUSTOMER DRAWING		REV AC1		REV AC1	