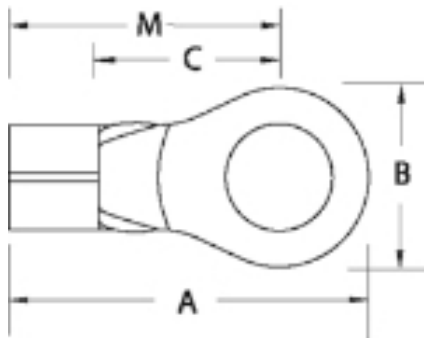




# Sta-Kon®

**T&B Catalog Number:** B14-8  
**UPC Number:** 78621080320  
**Description:** Non-Insulated Ring Terminal For Wire Range 18-14 Stud Size #8, Metallic

**Status:** Active



### WEB\_USE

-T&B Product Line	029
-US Cutsheet PDF Catalog Link	<a href="http://www-public.tnb.com/contractor/docs/stakon.pdf">http://www-public.tnb.com/contractor/docs/stakon.pdf</a>

### Features

-	These non-insulated ring terminals are made of electrolytic copper for high conductivity. They can be installed with crimping tools having a single indenter or double indenter (recommended for solid wire). Serrated barrel increases grip on wire.
---	---

### General

-Insulation Type	Non-Insulated
-Terminal Series	B
-Material	Copper
-Finish	Electro -Tin Plated
-Color	Metallic
-Wire Range	18-14
-Stud Size	#8

### Dimension Information

-Stock Thickness	.03
-A (inches)	.75
-B (inches)	.31
-C (inches)	.27
-M (inches)	.59

### Specifications

-Temperature Rating	150°C
-Voltage Rating	600V
-Flammability Rating	UL 94 V-0

### Tooling

-Tool Charts	Available on Website
-Application Tools	WT110M, WT111M, WT112M, WT2000, ERG4002
-Recommended Tool	ERG4002, ERG4005

### Packaging

-T&B Order Multiple	100
-T&B Inner Pack	100
-Package in Units	500
-Package Type	Standard
-T&B Sold in UOM	Each
-T&B Weight Per UOM	0.24 lbs. per 100
-Alternate Package Qty	B86

### Application Support

-Overview	Available on Website
-Wire Guide Tables	Available on Website

### Certifications

-RoHS Compliance Yes

### Certifications



File Nbr:

E9809

**For further technical assistance, please contact us...**

Thomas & Betts - USA  
8155 T&B Blvd.  
Memphis, TN 38125  
www.tnb.com

T&B Technical Support  
MS 3B-50  
8155 T&B Blvd.  
Memphis, TN 38125

Hours: 7AM - 6PM CDT  
Monday-Friday  
Phone: (888) 862-3289  
Fax: (901) 252-1321  
Email:techsupport@tnb.com