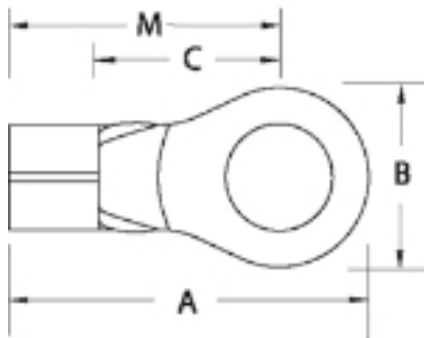


Sta-Kon®



T&B Catalog Number: C10-8-SK
UPC Number: 78621080343
Description: Non-Insulated Ring Terminal For Wire Range 12-10 Stud Size #8, Metallic

Status: Active



WEB_USE

-T&B Product Line	029
-US Cutsheet PDF Catalog Link	http://www-public.tnb.com/contractor/docs/stakon.pdf

Features

-	These non-insulated ring terminals are made of electrolytic copper for high conductivity. They can be installed with crimping tools having a single indenter or double indenter (recommended for solid wire). Serrated barrel increases grip on wire.
---	---

General

-Insulation Type	Non-Insulated
-Terminal Series	C
-Material	Copper
-Finish	Electro -Tin Plated
-Color	Metallic
-Wire Range	12-10
-Stud Size	#8

Dimension Information

-Stock Thickness	.04
-A (inches)	.82
-B (inches)	.31
-C (inches)	.27
-M (inches)	.66

Specifications

-Temperature Rating	150°C
-Voltage Rating	600V
-Flammability Rating	UL 94 V-0

Tooling

-Tool Charts	Available on Website
-Application Tools	WT110M, WT111M, WT112M, WT2000, ERG4002
-Recommended Tool	ERG4002, ERG4005

Packaging

-T&B Order Multiple	50
-T&B Inner Pack	50
-Package in Units	250
-Package Type	Standard
-T&B Sold in UOM	Each
-T&B Weight Per UOM	0.45 lbs. per 100
-Alternate Package Qty	C77

Application Support

-Overview	Available on Website
-Wire Guide Tables	Available on Website

Certifications

-RoHS Compliance Yes

Certifications



File Nbr:

E9809

For further technical assistance, please contact us...

Thomas & Betts - USA
8155 T&B Blvd.
Memphis, TN 38125
www.tnb.com

T&B Technical Support
MS 3B-50
8155 T&B Blvd.
Memphis, TN 38125

Hours: 7AM - 6PM CDT
Monday-Friday
Phone: (888) 862-3289
Fax: (901) 252-1321
Email:techsupport@tnb.com