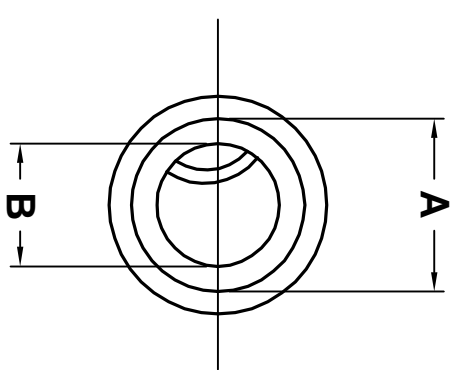
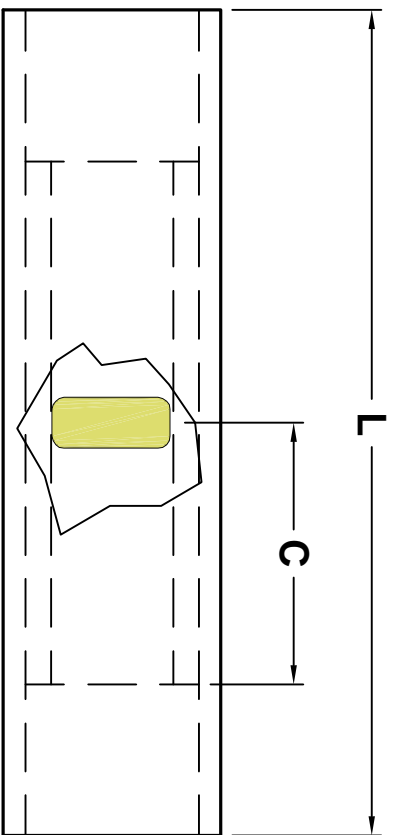


ALL RIGHTS RESERVED. NO PORTION OF THIS PUBLICATION, WHETHER IN WHOLE OR IN PART CAN BE REPRODUCED WITHOUT THE EXPRESS WRITTEN CONSENT OF SPC TECHNOLOGY.

REVISIONS			DOC. NO. SPC-F005	* Effective: 12/21/98	* DCP No: 680			
DCP #	REV	DESCRIPTION	DRAWN	DATE	CHECKD	DATE	APPRVD	DATE
	A	RELEASED						
1199	B	Renamed...was CCS-ZY-****	JWM	1/4/02	JC	1/4/02	JC	1/4/02



**NOTES**

1. Material: Electro-Tin Plated Copper
2. Insulation: Nylon 6/6
3. Operating Temp: -40°F to 167°F (-40°C ~ 75°C)

SPC Type No.	Wire Range (AWG)	ØA	ØB	L	C	Wall Thickness	Color
CCS-ZY-1210	12 ~ 10	.218	.142	1.20	.38	.038	Yellow
CCS-ZY-1614	16 ~ 14	.165	.095	1.02	.30	.031	Blue
CCS-ZY-2218	22 ~ 18	.125	.062	1.02	.28	.031	Red



**DISCLAIMER:**  
 ALL STATEMENTS AND TECHNICAL INFORMATION CONTAINED HEREIN ARE BASED UPON INFORMATION AND/OR TESTS WE BELIEVE TO BE ACCURATE AND RELIABLE SINCE CONDITIONS OF USE ARE BEYOND OUR CONTROL. THE USER SHALL DETERMINE THE SUITABILITY OF THE PRODUCT FOR THE INTENDED USE AND ASSUME ALL RISK AND LIABILITY THEREIN.



**SPC TECHNOLOGY**

Tolerances: Unless Otherwise Specified:  
 .X = ±.015  
 .XX = ±.010  
 .XXX = ±.005

DRAWING TITLE: **Nylon Insulated Seamless Butt Connectors**

DRAWN BY: JP	DATE: 2/28/92	SIZE: A	DWG. NO. TA-482	ELECTRONIC FILE: TA-482.dwg	REV: B
CHECKED BY: JOHN COLE	DATE: 2/28/92	SCALE: NTS	U.O.M.: INCHES [mm]	SHEET: 1 OF 1	
APPROVED BY:	DATE:				