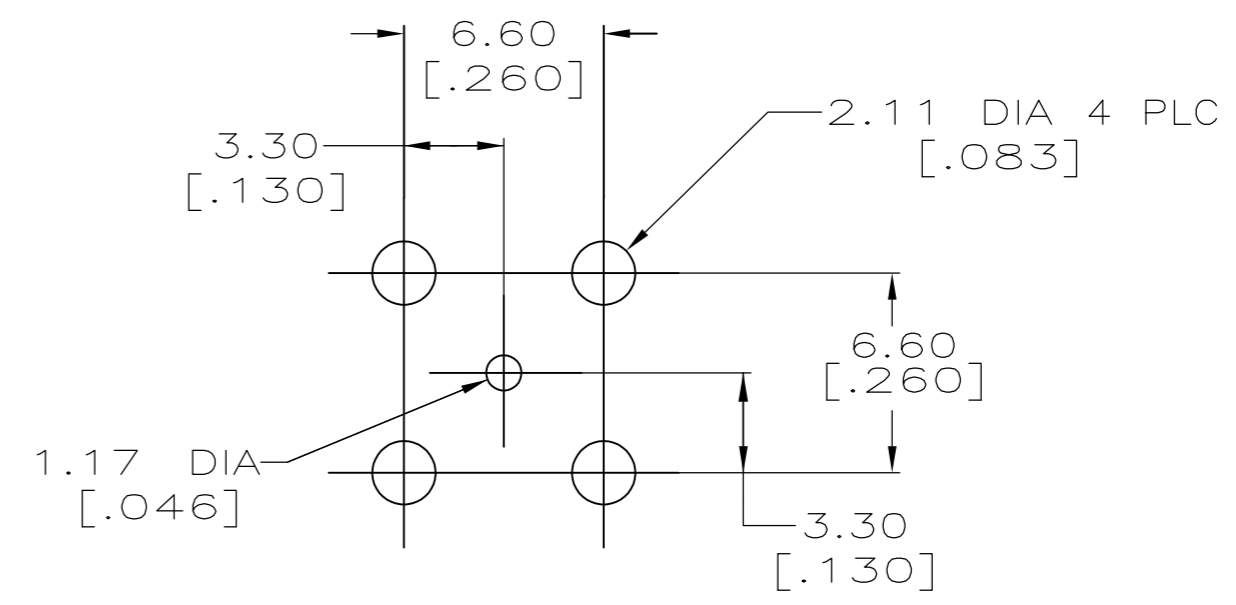
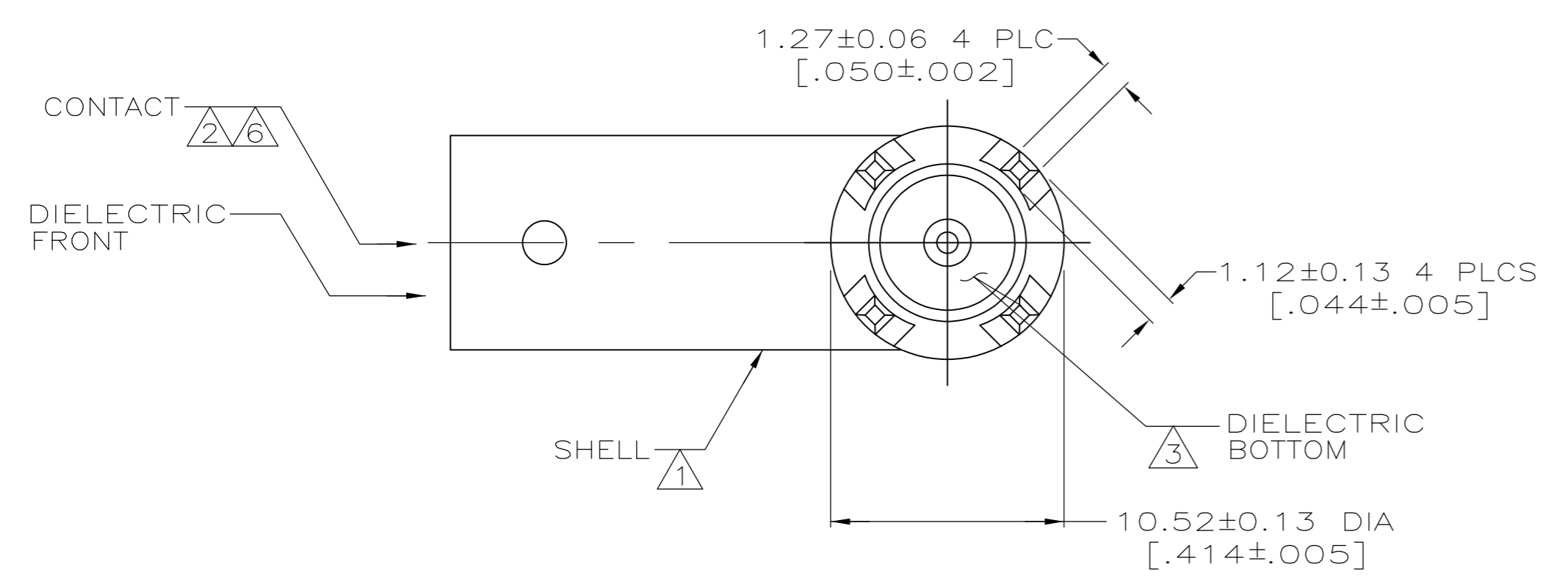
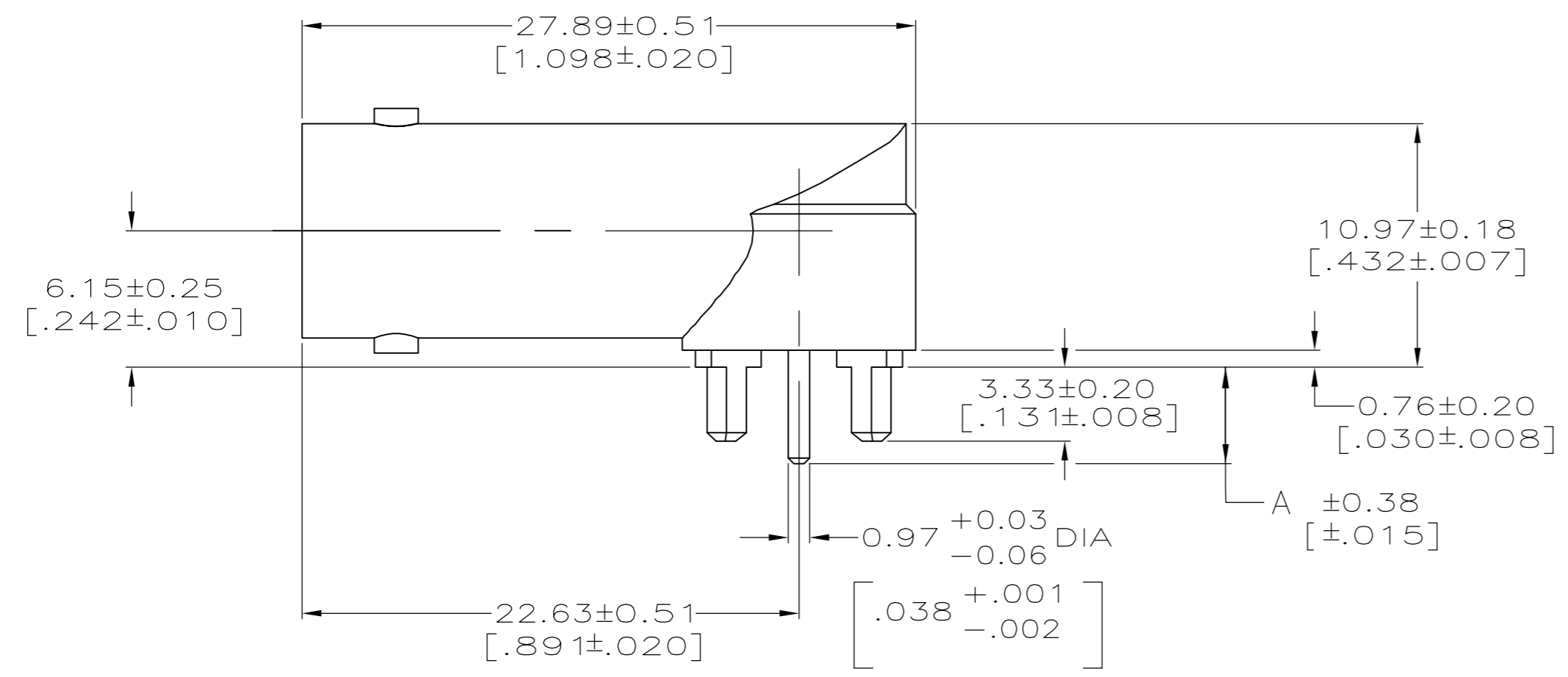


THIS DRAWING IS UNPUBLISHED. RELEASED FOR PUBLICATION  
 © COPYRIGHT - By - ALL RIGHTS RESERVED.

LOC	DIST	REVISIONS					
		P	LTR	DESCRIPTION	DATE	DWN	APVD
AJ	00		B3	REVISED PER ECO-11-005030	11MAR11	RK	HMR

- ① ZINC PER QQ-Z-363.
- ② BERYLLIUM COPPER PER QQ-C-530.
- ③ PTFE PER MIL-P-19468.
- ④ NICKEL PLATE PER QQ-N-290, 3.81µm [.000150] MINIMUM THICK.
- ⑤ TIN PLATE PER ASTM-B-545, 3.04µm [.000120] MINIMUM THICK OVER NICKEL PLATE PER MIL-C-26074, 7.62µm [.000300] MINIMUM THICK.
- ⑥ GOLD PLATE PER MIL-G-45204, 1.27µm [.000050] MINIMUM THICK.
- ⑦ INTERFACE PER MIL-C-39012.
- ⑧ POLYMETHYLPENTENE, GENERAL PURPOSE



PCB CONFIGURATION

3.33 [.131]	④	③	5413631-5
3.33 [.131]	④	⑧	5413631-3
4.34 [.171]	⑤	③	5413631-2
4.34 [.171]	④	⑧	5413631-1
A	FINISH: SHELL	MATERIAL: DIELECTRIC, FRONT	PART NUMBER

THIS DRAWING IS A CONTROLLED DOCUMENT.		DWN B.MCMMASTER 03JAN05	<b>STE</b> TE Connectivity	
DIMENSIONS: INCHES		CHK J.LIPPERT 03JAN05		
TOLERANCES UNLESS OTHERWISE SPECIFIED:		APVD J.LIPPERT 03JAN05	NAME JACK, RIGHT ANGLE, PCB, 50 OHM, SERIES BNC	
0 PLC ± -		PRODUCT SPEC	SIZE CAGE CODE DRAWING NO RESTRICTED TO	
1 PLC ± -		APPLICATION SPEC	A2 00779 C=5413631	
2 PLC ± 0.08 [.003]		WEIGHT -	SCALE 4:1 SHEET 1 of 1 REV B3	
3 PLC ± -		CUSTOMER DRAWING		
4 PLC ± -				
ANGLES ± -				
FINISH				
SEE NOTES 1-3				
SEE NOTES 4-6				