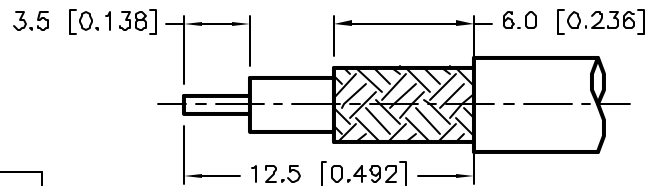
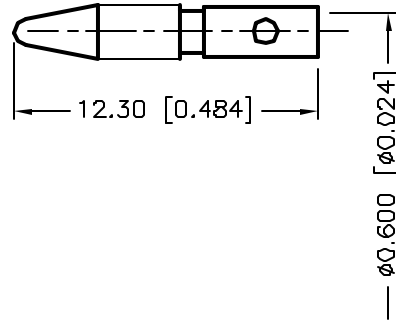
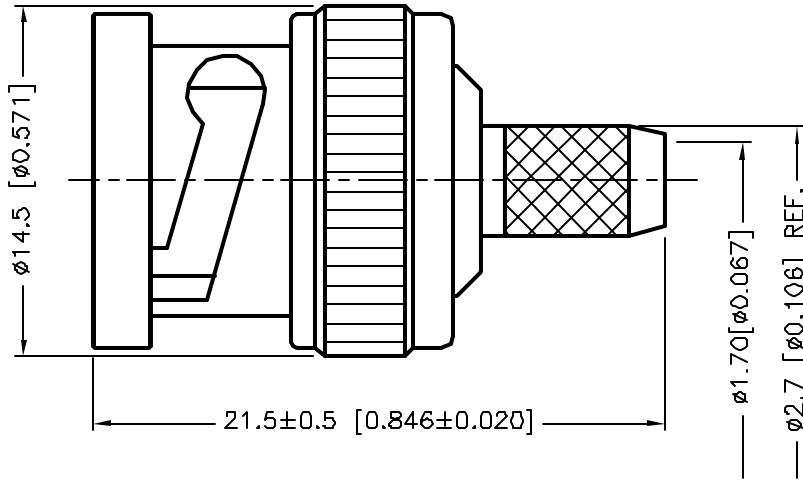
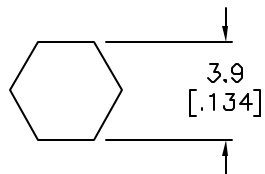


REVISIONS

DCP #	REV	DESCRIPTION	DRAWN	DATE	CHECKD	DATE	APPRVD	DATE
2002	A	RELEASED	JN	01/16/08	JWM	01/16/08	JWM	01/16/08



STRIPPING DIMENSION



HEX DIMENSION

**Electrical**

- Frequency Range: DC-4 GHz
- Nominal Impedance: 50 Ohm
- VSWR: 1.3 Max.



**Materials**

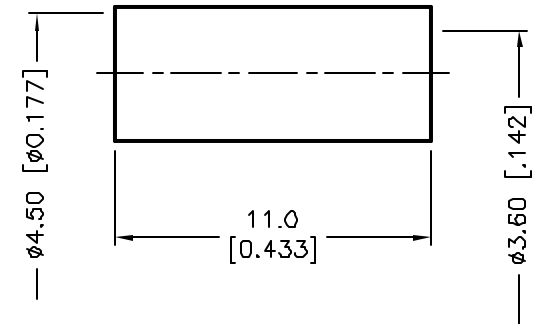
- Bodies: Brass PER JIS-C3604
- Center Contact: Brass PER JIS-C3604
- Insulation: Teflon PER ASTM D1457 and ASTM D1710
- Crimp Ferrule: Brass PER JIS-C2700

**Mechanical**

- Interface in accordance with: MIL-STD-348a
- For use with RD316U or similar style cable.
- Cable attachment:
  - Outer: Crimp
  - Inner: Solder/Crimp
- Crimp size requirement:
  - Contact: Solder
  - Ferrule: 3.9 (.154) Hex. Crimp Tool

**Environmental**

- Operating Temperature Range: -65°C to +165°C



NO	DESCRIPTION	MATERIAL	QTY	FINISH
9	CENTER CONTACT	BRASS	1	GOLD
8	CRIMP FERRULE	BRASS	1	NICKEL 100 μ <sup>m</sup> MIN.
7	SHELL	ZINC	1	NICKEL 100 μ <sup>m</sup> MIN.
6	INSULATION	TEFLON	1	NONE
5	GASKET	SILICONE	1	RED
4	WASHER	BRASS	1	NICKEL 100 μ <sup>m</sup> MIN.
3	SPRING WASHER	SK-5	1	NICKEL 100 μ <sup>m</sup> MIN.
2	WASHER	BRASS	1	NICKEL 100 μ <sup>m</sup> MIN.
1	BODY	BRASS	1	NICKEL 100 μ <sup>m</sup> MIN.

DISCLAIMER:  
ALL STATEMENTS AND TECHNICAL INFORMATION CONTAINED HEREIN ARE BASED UPON INFORMATION AND/OR TESTS WE BELIEVE TO BE ACCURATE AND RELIABLE. SINCE CONDITIONS OF USE ARE BEYOND OUR CONTROL, THE USER SHALL DETERMINE THE SUITABILITY OF THE PRODUCT FOR THE INTENDED USE AND ASSUME ALL RISK AND LIABILITY WHATSOEVER IN CONNECTION THEREWITH.

TOLERANCES:

UNLESS OTHERWISE SPECIFIED, DIMENSIONS ARE FOR REFERENCE PURPOSES ONLY.

DRAWN BY:	DATE:
Jason Nash	01/16/08
CHECKED BY:	DATE:
Jeff McVicker	01/16/08
APPROVED BY:	DATE:
Jeff McVicker	01/16/08

DRAWING TITLE:			
BNC STRAIGHT PLUG CRIMP			
SIZE	DWG. NO.	ELECTRONIC FILE	REV
A	SPC23569	96M8853.DWG	A
SCALE: NTS	U.O.M.: mm [Inches]	SHEET: 1 OF 1	