

## LM185/LM285/LM385 Adjustable Micropower Voltage References

 Check for Samples: [LM185-ADJ](#), [LM285-ADJ](#), [LM385-ADJ](#)

### FEATURES

- Adjustable from 1.24V to 5.30V
- Operating Current of 10 $\mu$ A to 20mA
- 1% and 2% Initial Tolerance
- 1 $\Omega$  Dynamic Impedance
- Low Temperature Coefficient

### DESCRIPTION

The LM185/LM285/LM385 are micropower 3-terminal adjustable band-gap voltage reference diodes. Operating from 1.24 to 5.3V and over a 10 $\mu$ A to 20mA current range, they feature exceptionally low dynamic impedance and good temperature stability. On-chip trimming is used to provide tight voltage tolerance. Since the LM185 band-gap reference uses only transistors and resistors, low noise and good long-term stability result.

Careful design of the LM185 has made the device tolerant of capacitive loading, making it easy to use in almost any reference application. The wide dynamic operating range allows its use with widely varying supplies with excellent regulation.

The extremely low power drain of the LM185 makes it useful for micropower circuitry. This voltage reference can be used to make portable meters, regulators or general purpose analog circuitry with battery life approaching shelf life. Further, the wide operating current allows it to replace older references with a tighter tolerance part.

The LM185 is rated for operation over a  $-55^{\circ}\text{C}$  to  $125^{\circ}\text{C}$  temperature range, while the LM285 is rated  $-40^{\circ}\text{C}$  to  $85^{\circ}\text{C}$  and the LM385  $0^{\circ}\text{C}$  to  $70^{\circ}\text{C}$ . The LM185 is available in a hermetic TO package and a LCCC package, while the LM285/LM385 are available in a low-cost TO-92 package, as well as SOIC.

### Connection Diagram

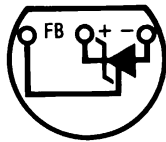


Figure 1. TO-92 Package Bottom View

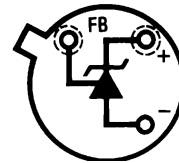


Figure 2. TO Package Bottom View

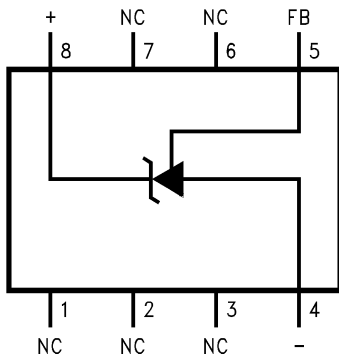


Figure 3. SOIC Package Top View

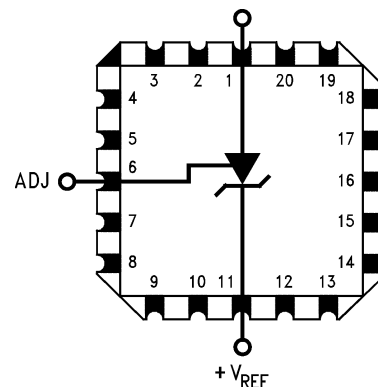


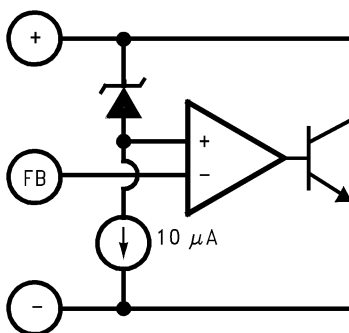
Figure 4. 20-LCCC Top View



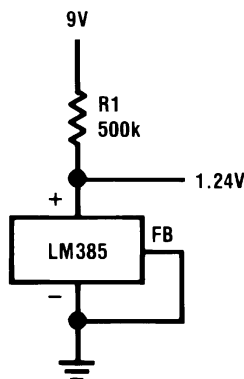
Please be aware that an important notice concerning availability, standard warranty, and use in critical applications of Texas Instruments semiconductor products and disclaimers thereto appears at the end of this data sheet.

All trademarks are the property of their respective owners.

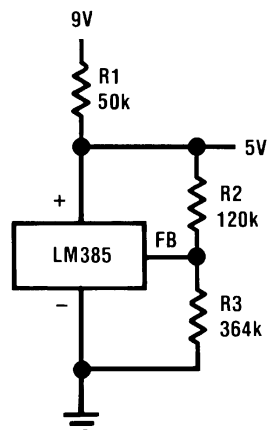
**Block Diagram**



**Typical Applications**



**Figure 5. 1.24V Reference**



$$V_{OUT} = 1.24 \left( \frac{R3}{R2} + 1 \right)$$

**Figure 6. 5.0V Reference**



These devices have limited built-in ESD protection. The leads should be shorted together or the device placed in conductive foam during storage or handling to prevent electrostatic damage to the MOS gates.

**Absolute Maximum Ratings<sup>(1)(2)(3)</sup>**

Reverse Current	30mA
Forward Current	10mA
Operating Temperature Range <sup>(4)</sup>	
LM185 Series	–55°C to 125°C
LM285 Series	–40°C to 85°C
LM385 Series	0°C to 70°C
ESD Susceptibility <sup>(5)</sup>	2kV
Storage Temperature	–55°C to 150°C
Soldering Information	
TO-92 Package (10 sec.)	260°C
TO Package (10 sec.)	300°C
SOIC Package	
Vapor Phase (60 sec.)	215°C
Infrared (15 sec.)	220°C
See An-450 "Surface Mounting Methods and Their Effect on Product Reliability" for other methods of soldering surface mount devices.	

- (1) Absolute Maximum Ratings indicate limits beyond which damage to the device may occur. Operating Ratings indicate conditions for which the device is intended to be functional. For specifications and test conditions, see the Electrical Characteristics. The specifications apply only for the test conditions listed.
- (2) Refer to RETS185H for military specifications.
- (3) If Military/Aerospace specified devices are required, please contact the TI Sales Office/Distributors for availability and specifications.
- (4) For elevated temperature operation, see [Table 1](#) and [Thermal Characteristics](#).
- (5) The human body model is a 100 pF capacitor discharged through a 1.5 kΩ resistor into each pin.

**Table 1.  $T_{J(max)}$  for Elevated Temperature Operation**

DEVICE	$T_{J(max)}$ (°C)
LM185	150
LM285	125
LM385	100

**Thermal Characteristics**

Over operating free-air temperature range (unless otherwise noted)

Thermal Resistance	TO-92	TO-46	SOIC
$\theta_{JA}$ (Junction to Ambient)	180°C/W (0.4" leads)	440°C/W	165°C/W
	170°C/W (0.125" leads)		
$\theta_{JC}$ (Junction to Case)	N/A	80°C/W	N/A

**Electrical Characteristics**<sup>(1)</sup>

Parameter	Conditions	LM185, LM285					LM385					Units (Limit)
		Typ	LM185BX, LM185BY, LM185B, LM285BX, LM285BY		LM285		Typ	LM385BX, LM385BY		LM385		
			Tested Limit (2)	Design Limit (3)	Tested Limit (2)	Design Limit (3)		Tested Limit (2)	Design Limit (3)	Tested Limit (2)	Design Limit (3)	
Reference Voltage	$I_R = 100\mu A$	1.240	1.252		1.265	<b>1.270</b>	1.240	1.252	<b>1.255</b>	1.265	<b>1.270</b>	V (max)
			1.228		1.215	<b>1.205</b>		1.228	<b>1.215</b>	1.215	<b>1.205</b>	V (min)
Reference Voltage Change with Current	$I_{MIN} < I_R < 1mA$	0.2	1	<b>1.5</b>	1	<b>1.5</b>	0.2	1	<b>1.5</b>	1	<b>1.5</b>	mV (max)
	$1mA < I_R < 20mA$	4	10	<b>20</b>	10	<b>20</b>	5	15	<b>25</b>	15	<b>25</b>	
Dynamic Output Impedance	$I_R = 100\mu A, f = 100Hz$ $I_{AC} = 0.1 I_R$ $V_{OUT} = V_{REF}$ $V_{OUT} = 5.3V$	0.3					0.4					$\Omega$
		0.7					1					
Reference Voltage Change with Output Voltage	$I_R = 100\mu A$	1	3	<b>6</b>	3	<b>6</b>	2	5	<b>10</b>	5	<b>10</b>	mV (max)
Feedback Current		13	20	<b>25</b>	20	<b>25</b>	16	30	<b>35</b>	30	<b>35</b>	nA (max)
Minimum Operating Current (see curve)	$V_{OUT} = V_{REF}$	6	9	<b>10</b>	9	<b>10</b>	7	11	<b>13</b>	11	<b>13</b>	$\mu A$ (max)
	$V_{OUT} = 5.3V$	30	45	<b>50</b>	45	<b>50</b>	35	55	<b>60</b>	55	<b>60</b>	
Output Wideband Noise	$I_R = 100\mu A, 10Hz < f < 10kHz$ $V_{OUT} = V_{REF}$ $V_{OUT} = 5.3V$	50					50					$\mu V_{rms}$
		170					170					
Average Temperature Coefficient <sup>(4)</sup>	$I_R = 100\mu A$	X Suffix	<b>30</b>					<b>30</b>				ppm/ $^{\circ}C$ (max)
		Y Suffix	<b>50</b>					<b>50</b>				
		All Others		<b>150</b>		<b>150</b>			<b>150</b>		<b>150</b>	
Long Term Stability	$I_R = 100\mu A, T = 1000 Hr,$ $T_A = 25^{\circ}C \pm 0.1^{\circ}C$	20					20				ppm	

- (1) Parameters identified with **boldface type** apply at temperature extremes. All other numbers apply at  $T_A = T_J = 25^{\circ}C$ . Unless otherwise specified, all parameters apply for  $V_{REF} < V_{OUT} < 5.3V$ .
- (2) Production tested.
- (3) Not production tested. These limits are not to be used to calculate average outgoing quality levels.
- (4) The average temperature coefficient is defined as the maximum deviation of reference voltage at all measured temperatures from  $T_{MIN}$  to  $T_{MAX}$ , divided by  $T_{MAX} - T_{MIN}$ . The measured temperatures are -55, -40, 0, 25, 70, 85, 125 $^{\circ}C$ .

Typical Performance Characteristics

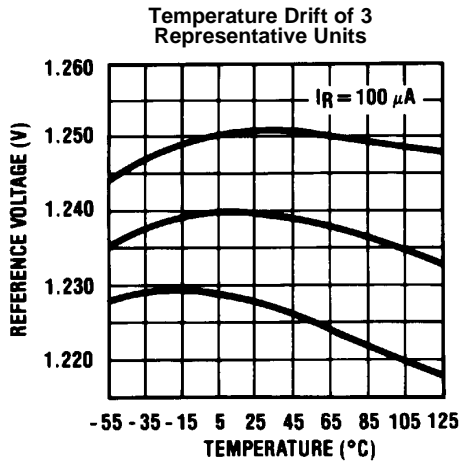


Figure 7.

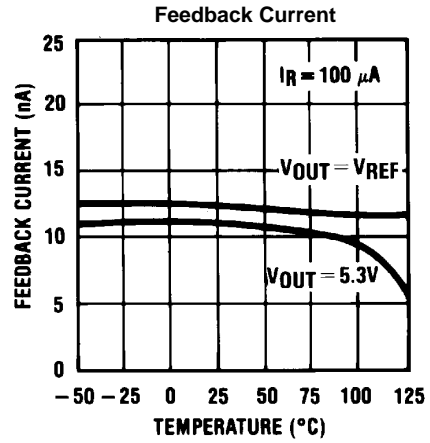


Figure 8.

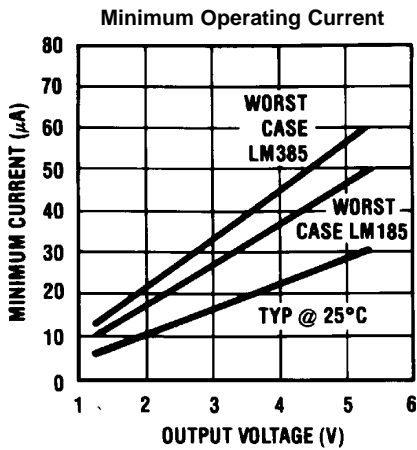


Figure 9.

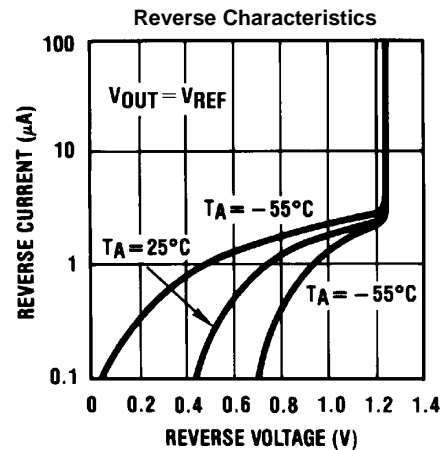


Figure 10.

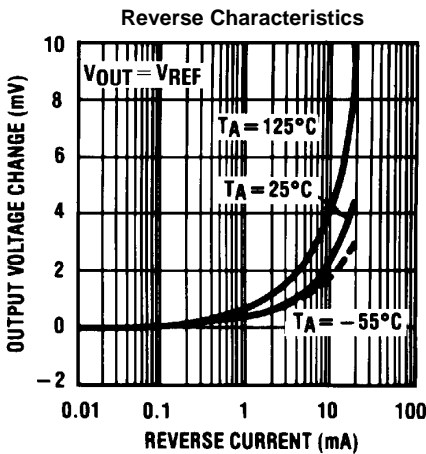


Figure 11.

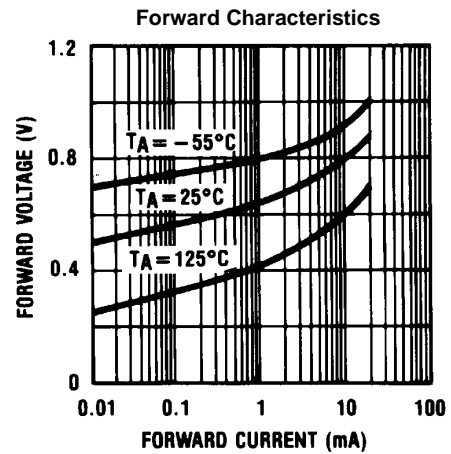


Figure 12.

Typical Performance Characteristics (continued)

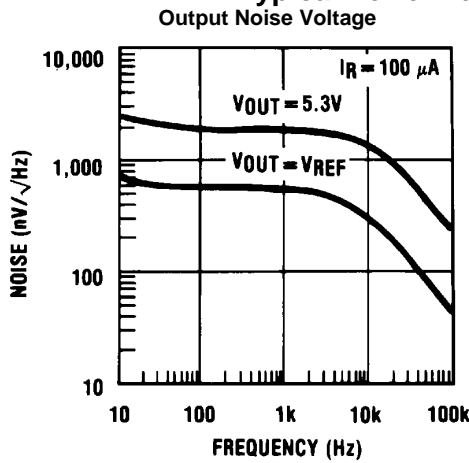


Figure 13.

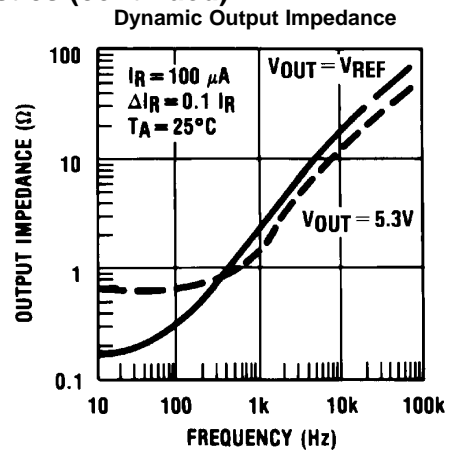


Figure 14.

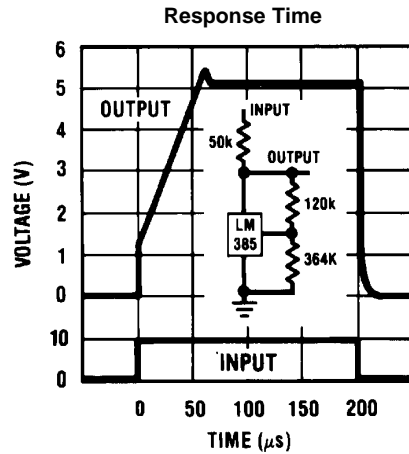


Figure 15.

Temperature Coefficient Typical  
LM185 (left), LM285 (center), LM385 (right)

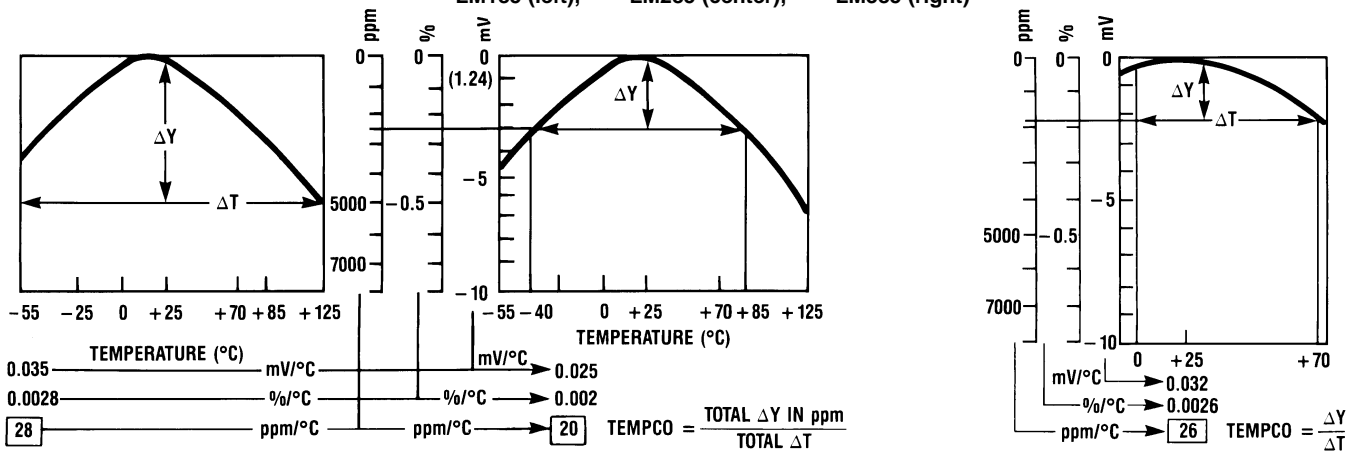


Figure 16.

TYPICAL APPLICATIONS

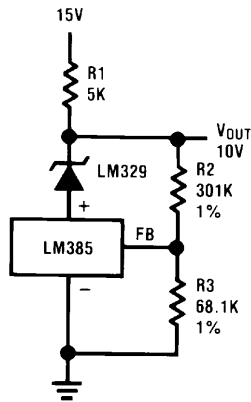


Figure 17. Precision 10V Reference

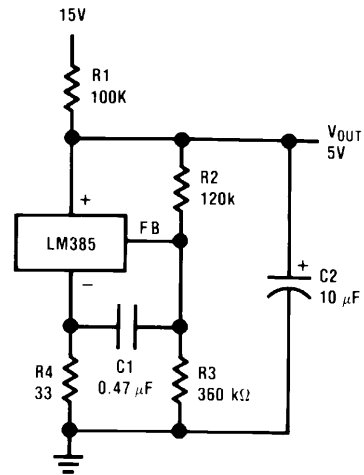


Figure 18. Low AC Noise Reference

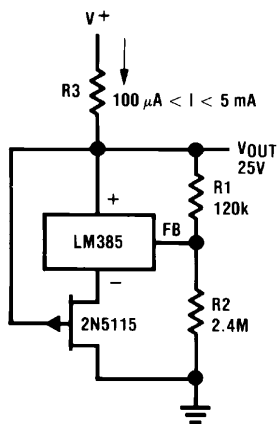


Figure 19. 25V Low Current Shunt Regulator

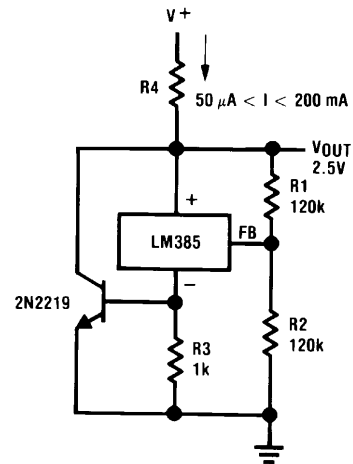


Figure 20. 200 mA Shunt Regulator

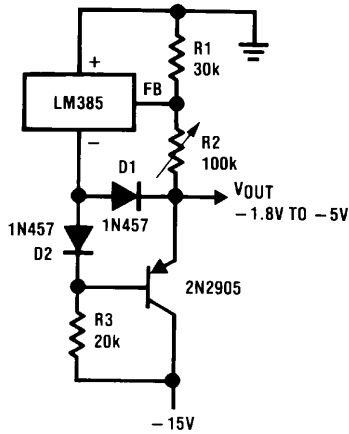


Figure 21. Series-Shunt 20 mA Regulator

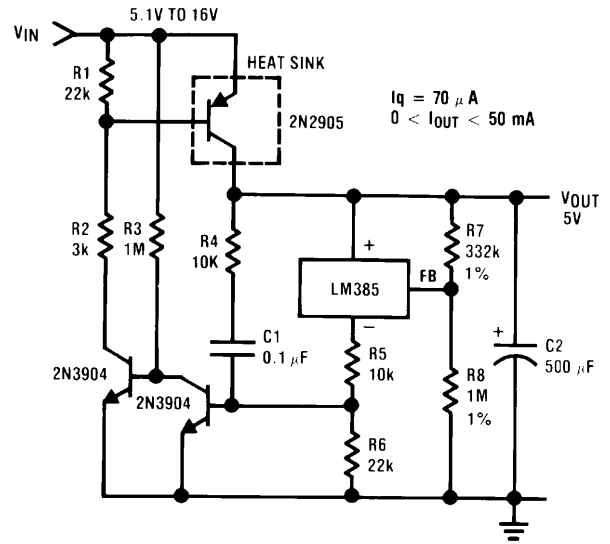


Figure 22. High Efficiency Low Power Regulator

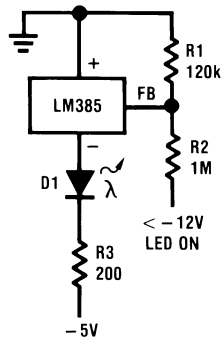


Figure 23. Voltage Level Detector

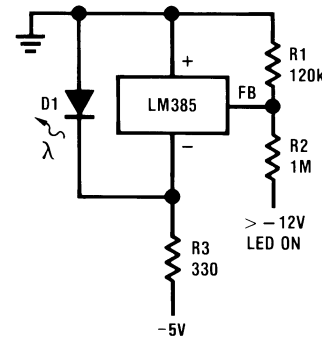


Figure 24. Voltage Level Detector

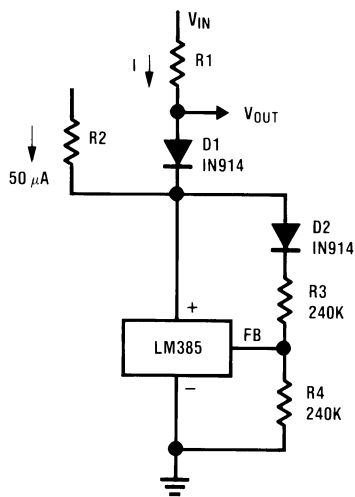


Figure 25. Fast Positive Clamp  
 $2.4V + \Delta V_{D1}$

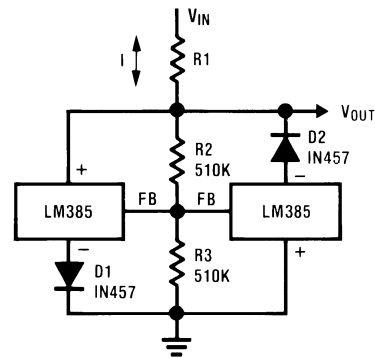


Figure 26. Bidirectional Clamp  
 $\pm 2.4V$



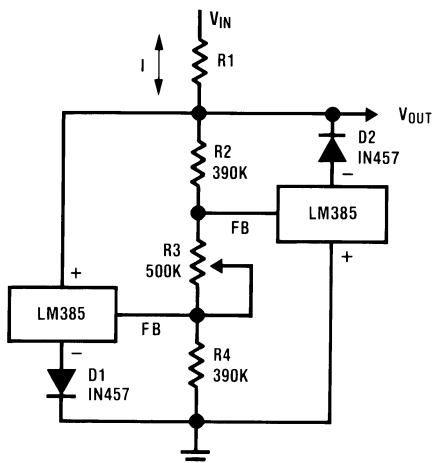


Figure 27. Bidirectional Adjustable Clamp  $\pm 1.8V$  to  $\pm 2.4V$

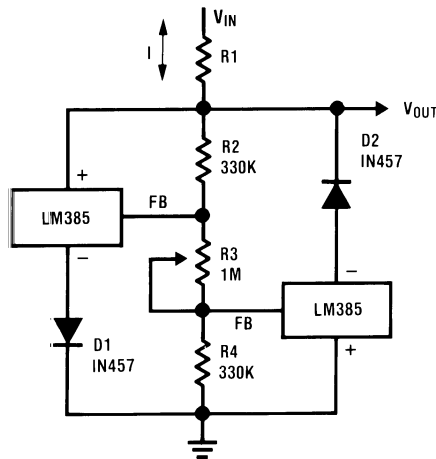


Figure 28. Bidirectional Adjustable Clamp  $\pm 2.4V$  to  $\pm 6V$

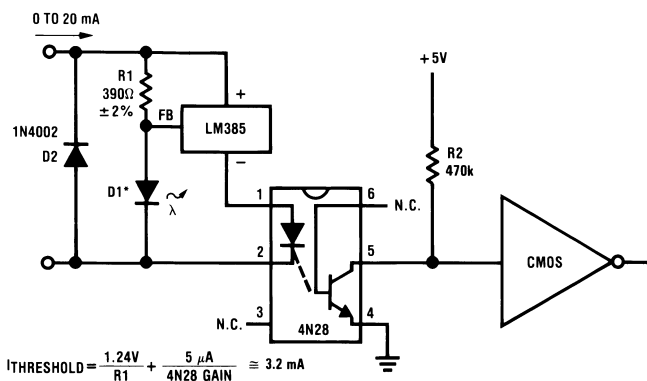


Figure 29. Simple Floating Current Detector

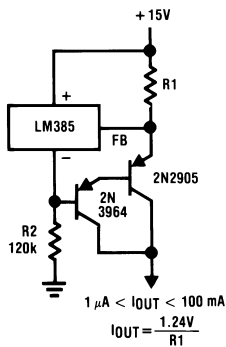
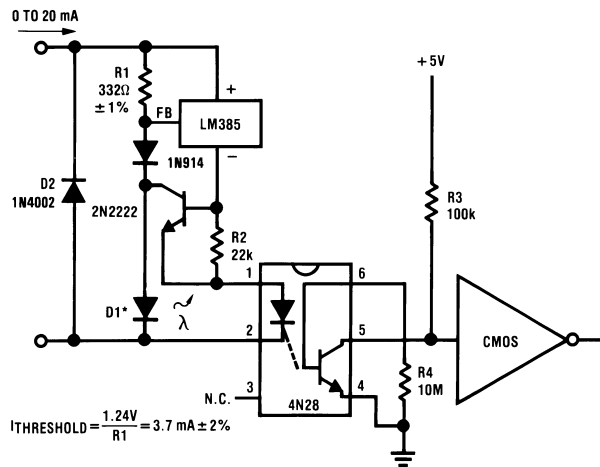


Figure 30. Current Source



\*D1 can be any LED,  $V_F=1.5V$  to  $2.2V$  at  $3 mA$ . D1 may act as an indicator. D1 will be on if  $I_{THRESHOLD}$  falls below the threshold current, except with  $I=0$ .

Figure 31. Precision Floating Current Detector

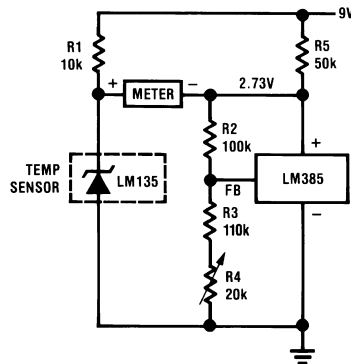


Figure 32. Centigrade Thermometer, 10mV/°C

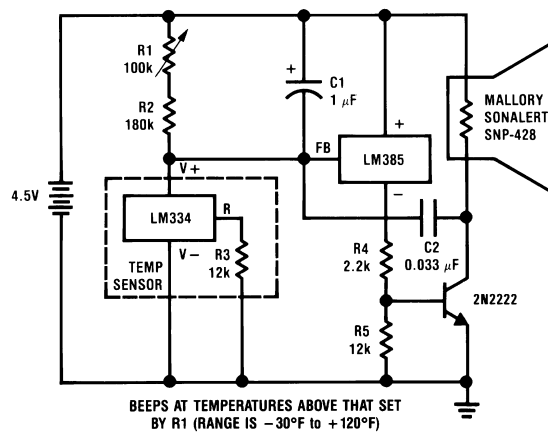
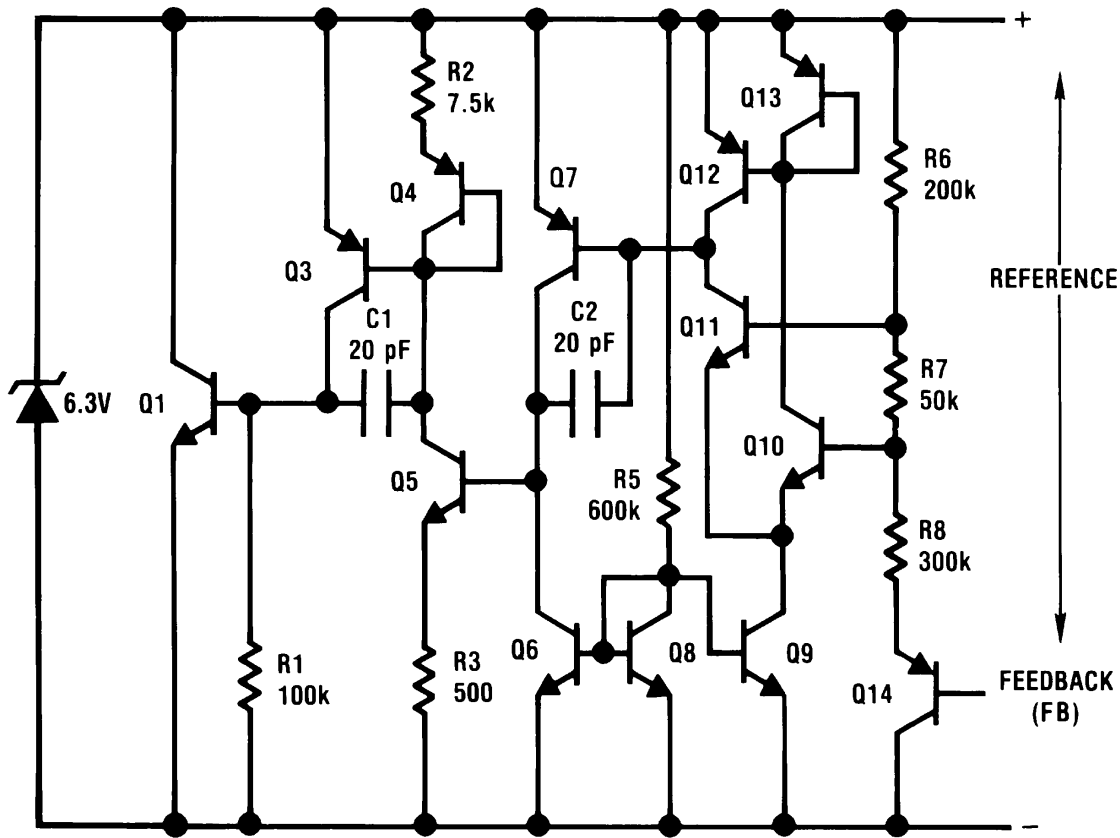


Figure 33. Freezer Alarm

Schematic Diagram



## REVISION HISTORY

Changes from Revision E (April 2013) to Revision F	Page
• Changed layout of National Data Sheet to TI format .....	11

**PACKAGING INFORMATION**

Orderable Device	Status (1)	Package Type	Package Drawing	Pins	Package Qty	Eco Plan (2)	Lead/Ball Finish (6)	MSL Peak Temp (3)	Op Temp (°C)	Device Marking (4/5)	Samples
LM185BH	ACTIVE	TO	NDV	3	1000	TBD	Call TI	Call TI	-55 to 125	LM185BH	<a href="#">Samples</a>
LM185BH/NOPB	ACTIVE	TO	NDV	3	1000	Green (RoHS & no Sb/Br)	Call TI   POST-PLATE	Level-1-NA-UNLIM	-55 to 125	( LM185BH ~ LM185BH)	<a href="#">Samples</a>
LM185H-2.5	ACTIVE	TO	NDU	2	1000	TBD	Call TI	Call TI	-55 to 125	LM185H2.5	<a href="#">Samples</a>
LM185H-2.5/NOPB	ACTIVE	TO	NDU	2	1000	Green (RoHS & no Sb/Br)	POST-PLATE	Level-1-NA-UNLIM	-55 to 125	( LM185H2.5 ~ LM185H2.5)	<a href="#">Samples</a>
LM285BXZ/NOPB	ACTIVE	TO-92	LP	3	1800	Green (RoHS & no Sb/Br)	CU SN	N / A for Pkg Type	-40 to 85	LM285 BXZ	<a href="#">Samples</a>
LM285BYM/NOPB	ACTIVE	SOIC	D	8	95	Green (RoHS & no Sb/Br)	CU SN	Level-1-260C-UNLIM	-40 to 85	LM285 BYM	<a href="#">Samples</a>
LM285BYMX/NOPB	ACTIVE	SOIC	D	8	2500	Green (RoHS & no Sb/Br)	CU SN	Level-1-260C-UNLIM	-40 to 85	LM285 BYM	<a href="#">Samples</a>
LM285BYZ/NOPB	ACTIVE	TO-92	LP	3	1800	Green (RoHS & no Sb/Br)	CU SN	N / A for Pkg Type	-40 to 85	LM285 BYZ	<a href="#">Samples</a>
LM285M/NOPB	ACTIVE	SOIC	D	8	95	Green (RoHS & no Sb/Br)	CU SN	Level-1-260C-UNLIM	-40 to 85	LM285 M	<a href="#">Samples</a>
LM285MX/NOPB	ACTIVE	SOIC	D	8	2500	Green (RoHS & no Sb/Br)	CU SN	Level-1-260C-UNLIM	-40 to 85	LM285 M	<a href="#">Samples</a>
LM285Z/NOPB	ACTIVE	TO-92	LP	3	1800	Green (RoHS & no Sb/Br)	CU SN	N / A for Pkg Type	-40 to 85	LM285 Z	<a href="#">Samples</a>
LM385BM	NRND	SOIC	D	8	95	TBD	Call TI	Call TI	0 to 70	LM385 BM	
LM385BM/NOPB	ACTIVE	SOIC	D	8	95	Green (RoHS & no Sb/Br)	CU SN	Level-1-260C-UNLIM	0 to 70	LM385 BM	<a href="#">Samples</a>
LM385BMX/NOPB	ACTIVE	SOIC	D	8	2500	Green (RoHS & no Sb/Br)	CU SN	Level-1-260C-UNLIM	0 to 70	LM385 BM	<a href="#">Samples</a>
LM385BXZ/NOPB	ACTIVE	TO-92	LP	3	1800	Green (RoHS & no Sb/Br)	CU SN	N / A for Pkg Type	0 to 70	LM385 BXZ	<a href="#">Samples</a>
LM385BYZ/NOPB	ACTIVE	TO-92	LP	3	1800	Green (RoHS & no Sb/Br)	CU SN	N / A for Pkg Type	0 to 70	LM385 BYZ	<a href="#">Samples</a>
LM385BZ/NOPB	ACTIVE	TO-92	LP	3	1800	Green (RoHS & no Sb/Br)	CU SN	N / A for Pkg Type	0 to 70	LM385 BZ	<a href="#">Samples</a>
LM385M	NRND	SOIC	D	8	95	TBD	Call TI	Call TI	0 to 70	LM385	

Orderable Device	Status (1)	Package Type	Package Drawing	Pins	Package Qty	Eco Plan (2)	Lead/Ball Finish (6)	MSL Peak Temp (3)	Op Temp (°C)	Device Marking (4/5)	Samples
										M	
LM385M/NOPB	ACTIVE	SOIC	D	8	95	Green (RoHS & no Sb/Br)	CU SN	Level-1-260C-UNLIM	0 to 70	LM385 M	<a href="#">Samples</a>
LM385MX	NRND	SOIC	D	8	2500	TBD	Call TI	Call TI	0 to 70	LM385 M	
LM385MX/NOPB	ACTIVE	SOIC	D	8	2500	Green (RoHS & no Sb/Br)	CU SN	Level-1-260C-UNLIM	0 to 70	LM385 M	<a href="#">Samples</a>
LM385Z/NOPB	ACTIVE	TO-92	LP	3	1800	Green (RoHS & no Sb/Br)	CU SN	N / A for Pkg Type	0 to 70	LM385 Z	<a href="#">Samples</a>

(1) The marketing status values are defined as follows:

**ACTIVE:** Product device recommended for new designs.

**LIFEBUY:** TI has announced that the device will be discontinued, and a lifetime-buy period is in effect.

**NRND:** Not recommended for new designs. Device is in production to support existing customers, but TI does not recommend using this part in a new design.

**PREVIEW:** Device has been announced but is not in production. Samples may or may not be available.

**OBSELETE:** TI has discontinued the production of the device.

(2) Eco Plan - The planned eco-friendly classification: Pb-Free (RoHS), Pb-Free (RoHS Exempt), or Green (RoHS & no Sb/Br) - please check <http://www.ti.com/productcontent> for the latest availability information and additional product content details.

**TBD:** The Pb-Free/Green conversion plan has not been defined.

**Pb-Free (RoHS):** TI's terms "Lead-Free" or "Pb-Free" mean semiconductor products that are compatible with the current RoHS requirements for all 6 substances, including the requirement that lead not exceed 0.1% by weight in homogeneous materials. Where designed to be soldered at high temperatures, TI Pb-Free products are suitable for use in specified lead-free processes.

**Pb-Free (RoHS Exempt):** This component has a RoHS exemption for either 1) lead-based flip-chip solder bumps used between the die and package, or 2) lead-based die adhesive used between the die and leadframe. The component is otherwise considered Pb-Free (RoHS compatible) as defined above.

**Green (RoHS & no Sb/Br):** TI defines "Green" to mean Pb-Free (RoHS compatible), and free of Bromine (Br) and Antimony (Sb) based flame retardants (Br or Sb do not exceed 0.1% by weight in homogeneous material)

(3) MSL, Peak Temp. - The Moisture Sensitivity Level rating according to the JEDEC industry standard classifications, and peak solder temperature.

(4) There may be additional marking, which relates to the logo, the lot trace code information, or the environmental category on the device.

(5) Multiple Device Markings will be inside parentheses. Only one Device Marking contained in parentheses and separated by a "~" will appear on a device. If a line is indented then it is a continuation of the previous line and the two combined represent the entire Device Marking for that device.

(6) Lead/Ball Finish - Orderable Devices may have multiple material finish options. Finish options are separated by a vertical ruled line. Lead/Ball Finish values may wrap to two lines if the finish value exceeds the maximum column width.

**Important Information and Disclaimer:** The information provided on this page represents TI's knowledge and belief as of the date that it is provided. TI bases its knowledge and belief on information provided by third parties, and makes no representation or warranty as to the accuracy of such information. Efforts are underway to better integrate information from third parties. TI has taken and continues to take reasonable steps to provide representative and accurate information but may not have conducted destructive testing or chemical analysis on incoming materials and chemicals. TI and TI suppliers consider certain information to be proprietary, and thus CAS numbers and other limited information may not be available for release.

In no event shall TI's liability arising out of such information exceed the total purchase price of the TI part(s) at issue in this document sold by TI to Customer on an annual basis.

**TAPE AND REEL INFORMATION**

**QUADRANT ASSIGNMENTS FOR PIN 1 ORIENTATION IN TAPE**


\*All dimensions are nominal

Device	Package Type	Package Drawing	Pins	SPQ	Reel Diameter (mm)	Reel Width W1 (mm)	A0 (mm)	B0 (mm)	K0 (mm)	P1 (mm)	W (mm)	Pin1 Quadrant
LM285BYMX/NOPB	SOIC	D	8	2500	330.0	12.4	6.5	5.4	2.0	8.0	12.0	Q1
LM285MX/NOPB	SOIC	D	8	2500	330.0	12.4	6.5	5.4	2.0	8.0	12.0	Q1
LM385BMX/NOPB	SOIC	D	8	2500	330.0	12.4	6.5	5.4	2.0	8.0	12.0	Q1
LM385MX	SOIC	D	8	2500	330.0	12.4	6.5	5.4	2.0	8.0	12.0	Q1
LM385MX/NOPB	SOIC	D	8	2500	330.0	12.4	6.5	5.4	2.0	8.0	12.0	Q1

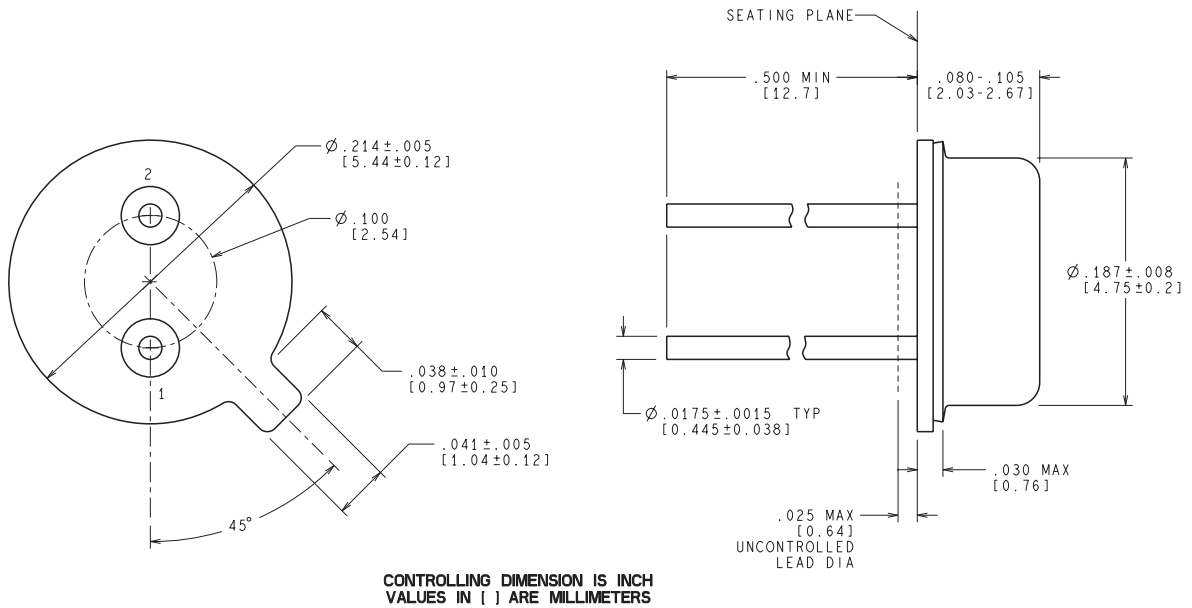


**TAPE AND REEL BOX DIMENSIONS**


\*All dimensions are nominal

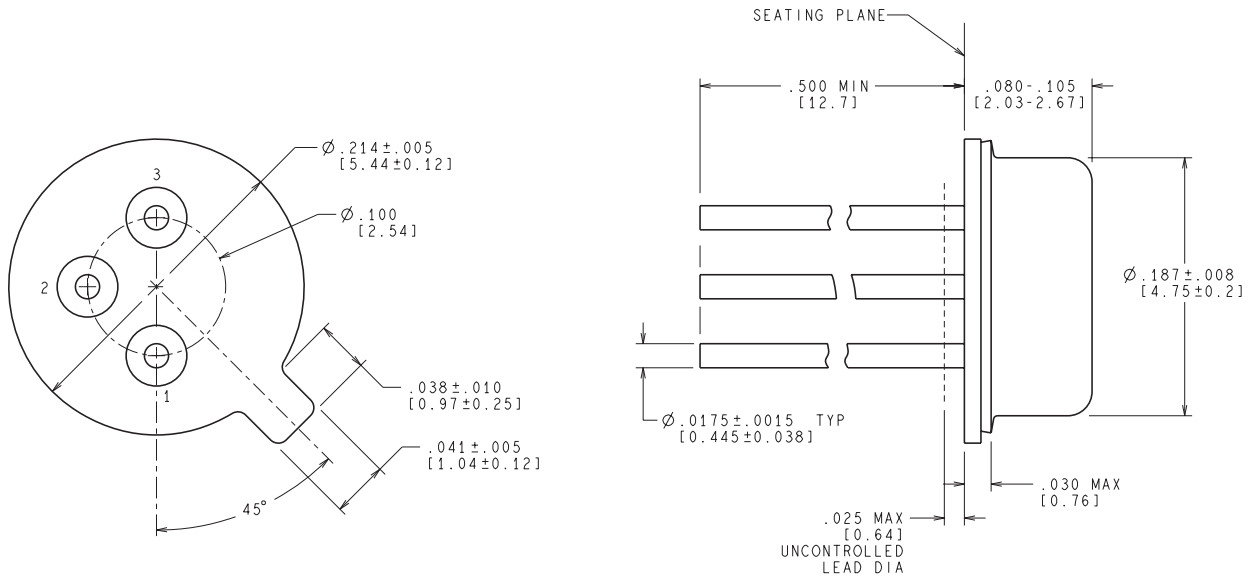
Device	Package Type	Package Drawing	Pins	SPQ	Length (mm)	Width (mm)	Height (mm)
LM285BYMX/NOPB	SOIC	D	8	2500	367.0	367.0	35.0
LM285MX/NOPB	SOIC	D	8	2500	367.0	367.0	35.0
LM385BMX/NOPB	SOIC	D	8	2500	367.0	367.0	35.0
LM385MX	SOIC	D	8	2500	367.0	367.0	35.0
LM385MX/NOPB	SOIC	D	8	2500	367.0	367.0	35.0

NDU0002A



H02A (Rev F)

NDV0003H



CONTROLLING DIMENSION IS INCH  
VALUES IN [ ] ARE IN MILLIMETERS

H03H (Rev F)

D (R-PDSO-G8)

PLASTIC SMALL OUTLINE



- NOTES:
- A. All linear dimensions are in inches (millimeters).
  - B. This drawing is subject to change without notice.
  - C. Body length does not include mold flash, protrusions, or gate burrs. Mold flash, protrusions, or gate burrs shall not exceed 0.006 (0,15) each side.
  - D. Body width does not include interlead flash. Interlead flash shall not exceed 0.017 (0,43) each side.
  - E. Reference JEDEC MS-012 variation AA.

**MECHANICAL DATA**

LP (O-PBCY-W3)

PLASTIC CYLINDRICAL PACKAGE



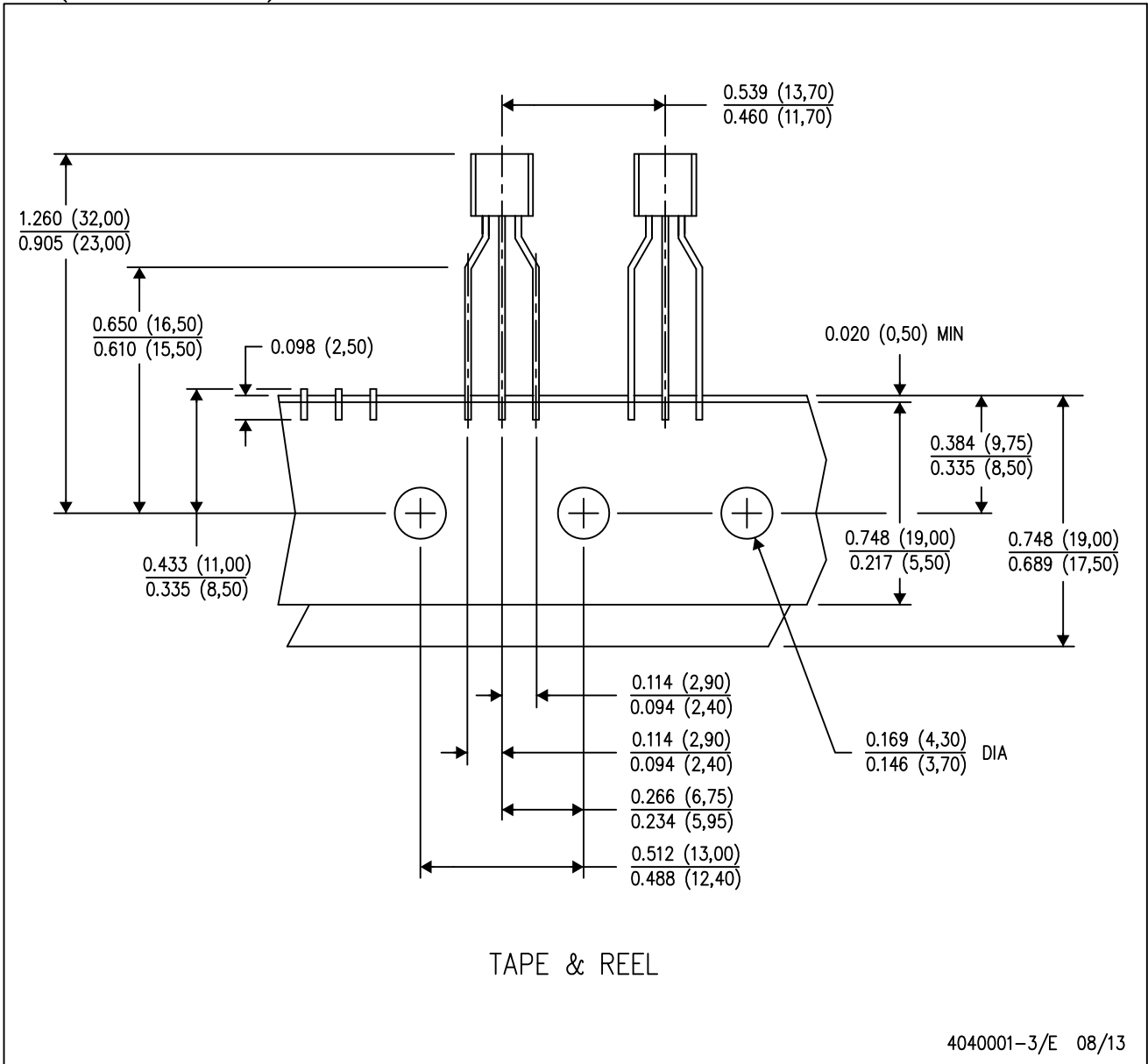
4040001-2/E 08/13

- NOTES:
- A. All linear dimensions are in inches (millimeters).
  - B. This drawing is subject to change without notice.
  - Lead dimensions are not controlled within this area.
  - Falls within JEDEC TO-226 Variation AA (TO-226 replaces TO-92).
  - E. Shipping Method:  
 Straight lead option available in bulk pack only.  
 Formed lead option available in tape & reel or ammo pack.  
 Specific products can be offered in limited combinations of shipping mediums and lead options.  
 Consult product folder for more information on available options.

**MECHANICAL DATA**

LP (O-PBCY-W3)

PLASTIC CYLINDRICAL PACKAGE



- NOTES:
- A. All linear dimensions are in inches (millimeters).
  - B. This drawing is subject to change without notice.
  - C. Tape and Reel information for the Formed Lead Option package.

## IMPORTANT NOTICE

Texas Instruments Incorporated and its subsidiaries (TI) reserve the right to make corrections, enhancements, improvements and other changes to its semiconductor products and services per JESD46, latest issue, and to discontinue any product or service per JESD48, latest issue. Buyers should obtain the latest relevant information before placing orders and should verify that such information is current and complete. All semiconductor products (also referred to herein as "components") are sold subject to TI's terms and conditions of sale supplied at the time of order acknowledgment.

TI warrants performance of its components to the specifications applicable at the time of sale, in accordance with the warranty in TI's terms and conditions of sale of semiconductor products. Testing and other quality control techniques are used to the extent TI deems necessary to support this warranty. Except where mandated by applicable law, testing of all parameters of each component is not necessarily performed.

TI assumes no liability for applications assistance or the design of Buyers' products. Buyers are responsible for their products and applications using TI components. To minimize the risks associated with Buyers' products and applications, Buyers should provide adequate design and operating safeguards.

TI does not warrant or represent that any license, either express or implied, is granted under any patent right, copyright, mask work right, or other intellectual property right relating to any combination, machine, or process in which TI components or services are used. Information published by TI regarding third-party products or services does not constitute a license to use such products or services or a warranty or endorsement thereof. Use of such information may require a license from a third party under the patents or other intellectual property of the third party, or a license from TI under the patents or other intellectual property of TI.

Reproduction of significant portions of TI information in TI data books or data sheets is permissible only if reproduction is without alteration and is accompanied by all associated warranties, conditions, limitations, and notices. TI is not responsible or liable for such altered documentation. Information of third parties may be subject to additional restrictions.

Resale of TI components or services with statements different from or beyond the parameters stated by TI for that component or service voids all express and any implied warranties for the associated TI component or service and is an unfair and deceptive business practice. TI is not responsible or liable for any such statements.

Buyer acknowledges and agrees that it is solely responsible for compliance with all legal, regulatory and safety-related requirements concerning its products, and any use of TI components in its applications, notwithstanding any applications-related information or support that may be provided by TI. Buyer represents and agrees that it has all the necessary expertise to create and implement safeguards which anticipate dangerous consequences of failures, monitor failures and their consequences, lessen the likelihood of failures that might cause harm and take appropriate remedial actions. Buyer will fully indemnify TI and its representatives against any damages arising out of the use of any TI components in safety-critical applications.

In some cases, TI components may be promoted specifically to facilitate safety-related applications. With such components, TI's goal is to help enable customers to design and create their own end-product solutions that meet applicable functional safety standards and requirements. Nonetheless, such components are subject to these terms.

No TI components are authorized for use in FDA Class III (or similar life-critical medical equipment) unless authorized officers of the parties have executed a special agreement specifically governing such use.

Only those TI components which TI has specifically designated as military grade or "enhanced plastic" are designed and intended for use in military/aerospace applications or environments. Buyer acknowledges and agrees that any military or aerospace use of TI components which have **not** been so designated is solely at the Buyer's risk, and that Buyer is solely responsible for compliance with all legal and regulatory requirements in connection with such use.

TI has specifically designated certain components as meeting ISO/TS16949 requirements, mainly for automotive use. In any case of use of non-designated products, TI will not be responsible for any failure to meet ISO/TS16949.

### Products

Audio	<a href="http://www.ti.com/audio">www.ti.com/audio</a>
Amplifiers	<a href="http://amplifier.ti.com">amplifier.ti.com</a>
Data Converters	<a href="http://dataconverter.ti.com">dataconverter.ti.com</a>
DLP® Products	<a href="http://www.dlp.com">www.dlp.com</a>
DSP	<a href="http://dsp.ti.com">dsp.ti.com</a>
Clocks and Timers	<a href="http://www.ti.com/clocks">www.ti.com/clocks</a>
Interface	<a href="http://interface.ti.com">interface.ti.com</a>
Logic	<a href="http://logic.ti.com">logic.ti.com</a>
Power Mgmt	<a href="http://power.ti.com">power.ti.com</a>
Microcontrollers	<a href="http://microcontroller.ti.com">microcontroller.ti.com</a>
RFID	<a href="http://www.ti-rfid.com">www.ti-rfid.com</a>
OMAP Applications Processors	<a href="http://www.ti.com/omap">www.ti.com/omap</a>
Wireless Connectivity	<a href="http://www.ti.com/wirelessconnectivity">www.ti.com/wirelessconnectivity</a>

### Applications

Automotive and Transportation	<a href="http://www.ti.com/automotive">www.ti.com/automotive</a>
Communications and Telecom	<a href="http://www.ti.com/communications">www.ti.com/communications</a>
Computers and Peripherals	<a href="http://www.ti.com/computers">www.ti.com/computers</a>
Consumer Electronics	<a href="http://www.ti.com/consumer-apps">www.ti.com/consumer-apps</a>
Energy and Lighting	<a href="http://www.ti.com/energy">www.ti.com/energy</a>
Industrial	<a href="http://www.ti.com/industrial">www.ti.com/industrial</a>
Medical	<a href="http://www.ti.com/medical">www.ti.com/medical</a>
Security	<a href="http://www.ti.com/security">www.ti.com/security</a>
Space, Avionics and Defense	<a href="http://www.ti.com/space-avionics-defense">www.ti.com/space-avionics-defense</a>
Video and Imaging	<a href="http://www.ti.com/video">www.ti.com/video</a>

### TI E2E Community

[e2e.ti.com](http://e2e.ti.com)