

## LOW-POWER DIFFERENTIAL LINE DRIVER AND RECEIVER PAIRS

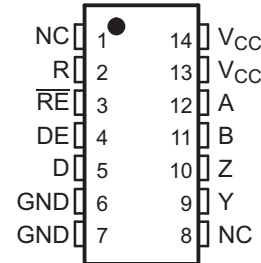
### FEATURES

- **High-Speed Low-Power LinBICMOS™ Circuitry Designed for Signaling Rates<sup>(1)</sup> of up to 30 Mbps**
- **Bus-Pin ESD Protection 15 kV HBM**
- **Low Disabled Supply-Current Requirements: 700  $\mu$ A Maximum**
- **Designed for High-Speed Multipoint Data Transmission Over Long Cables**
- **Common-Mode Voltage Range of  $-7$  V to 12 V**
- **Low Supply Current: 15 mA Max**
- **Compatible With ANSI Standard TIA/EIA-485-A and ISO 8482:1987(E)**
- **Positive and Negative Output Current Limiting**
- **Driver Thermal Shutdown Protection**

<sup>(1)</sup> Signaling rate by TIA/EIA-485-A definition restrict transition times to 30% of the bit duration, and much higher signaling rates may be achieved without this requirement as displayed in the *TYPICAL CHARACTERISTICS* of this device.

SN65LBC180AD (Marked as BL180A)  
SN65LBC180AN (Marked as 65LBC180A)  
SN75LBC180AD (Marked as LB180A)  
SN75LBC180AN (Marked as 75LBC180A)

(TOP VIEW)



NC—No internal connection  
Pins 6 and 7 are connected together internally  
Pins 13 and 14 are connected together internally

### DESCRIPTION

The SN65LBC180A and SN75LBC180A differential driver and receiver pairs are monolithic integrated circuits designed for bidirectional data communication over long cables that take on the characteristics of transmission lines. They are balanced, or differential, voltage mode devices that are compatible with ANSI standard TIA/EIA-485-A and ISO 8482:1987(E). The A version offers improved switching performance over its predecessors without sacrificing significantly more power.

These devices combine a differential line driver and differential input line receiver and operate from a single 5-V power supply. The driver differential outputs and the receiver differential inputs are connected to separate terminals for full-duplex operation and are designed to present minimum loading to the bus when powered off ( $V_{CC} = 0$ ). These parts feature wide positive and negative common-mode voltage ranges, making them suitable for point-to-point or multipoint data bus applications. The devices also provide positive and negative current limiting for protection from line fault conditions. The SN65LBC180A is characterized for operation from  $-40^{\circ}\text{C}$  to  $85^{\circ}\text{C}$ , and the SN75LBC180A is characterized for operation from  $0^{\circ}\text{C}$  to  $70^{\circ}\text{C}$ .

**FUNCTION TABLE<sup>(1)</sup>**

| DRIVER     |              |         |   | RECEIVER                     |              |             |
|------------|--------------|---------|---|------------------------------|--------------|-------------|
| INPUT<br>D | ENABLE<br>DE | OUTPUTS |   | DIFFERENTIAL INPUTS<br>A – B | ENABLE<br>RE | OUTPUT<br>R |
|            |              | Y       | Z |                              |              |             |
| H          | H            | H       | L | $V_{ID} \geq 0.2$ V          | L            | H           |
| L          | H            | L       | H | $-0.2$ V $< V_{ID} < 0.2$ V  | L            | ?           |
| X          | L            | Z       | Z | $V_{ID} \leq -0.2$ V         | L            | L           |
| OPEN       | H            | H       | L | X                            | H            | Z           |
|            |              |         |   | Open circuit                 | L            | H           |

<sup>(1)</sup> H = high level, L = low level, ? = indeterminate, X = irrelevant, Z = high impedance (off)



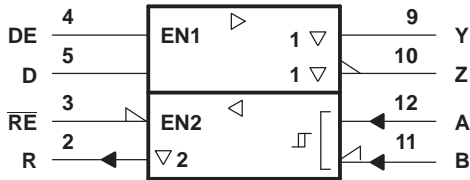
Please be aware that an important notice concerning availability, standard warranty, and use in critical applications of Texas Instruments semiconductor products and disclaimers thereto appears at the end of this data sheet.

LinBICMOS is a trademark of Texas Instruments.



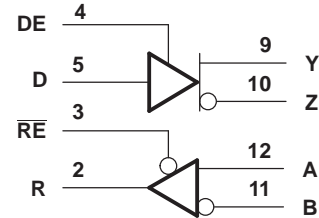
These devices have limited built-in ESD protection. The leads should be shorted together or the device placed in conductive foam during storage or handling to prevent electrostatic damage to the MOS gates.

**LOGIC SYMBOL<sup>(1)</sup>**



(1) This symbol is in accordance with ANSI/IEEE Std 91-1984 and IEC Publication 617-12.

**LOGIC DIAGRAM (POSITIVE LOGIC)**



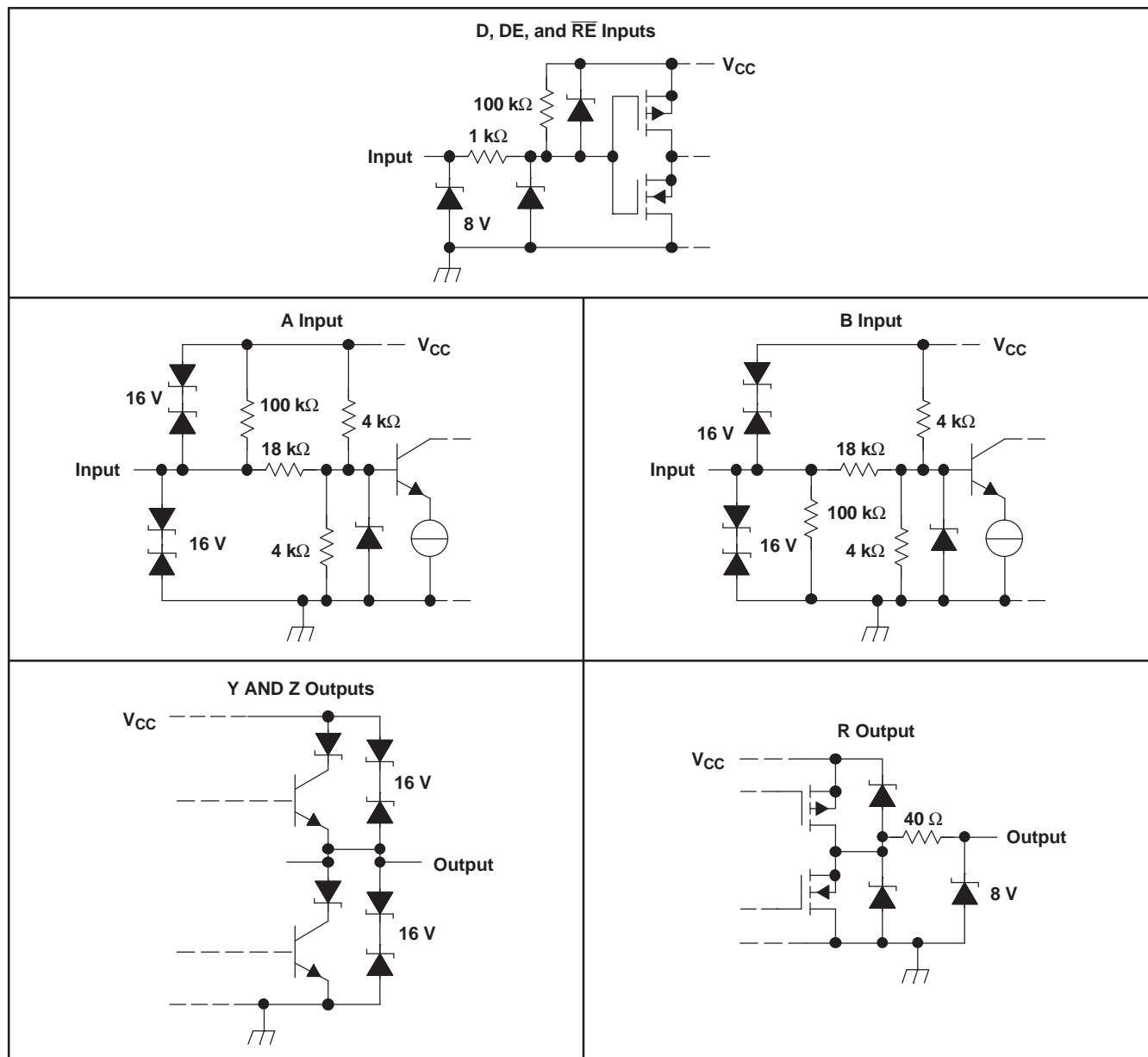
**AVAILABLE OPTIONS<sup>(1)</sup>**

| T <sub>A</sub> | PACKAGE                             |                                |
|----------------|-------------------------------------|--------------------------------|
|                | SMALL OUTLINE <sup>(2)</sup><br>(D) | PLASTIC<br>DUAL-IN-LINE<br>(N) |
| 0°C to 70°C    | SN75LBC180AD                        | SN75LBC180AN                   |
| –40°C to 85°C  | SN65LBC180AD                        | SN65LBC180AN                   |

(1) For the most current package and ordering information, see the Package Option Addendum at the end of this document, or see the TI website at [www.ti.com](http://www.ti.com).

(2) The D package is available taped and reeled. Add an R suffix to the part number (i.e., SN65LBC180ADR).

**SCHEMATICS OF INPUTS AND OUTPUTS**



## ABSOLUTE MAXIMUM RATINGS<sup>(1)</sup>

over operating free-air temperature range (unless otherwise noted)

|                 |   |   | UNIT                              |
|-----------------|---|---|-----------------------------------|
| V <sub>CC</sub> | Supply voltage range <sup>(2)</sup>               |   | –0.3 V to 6 V                     |
| V <sub>I</sub>  | Input voltage range                               | A, B  | –10 V to 15 V                     |
|                 | Voltage range                                     | D, R, DE, $\overline{RE}$                             | –0.3 V to V <sub>CC</sub> + 0.5 V |
| I <sub>O</sub>  | Receiver output current                           |   | ±10 mA                            |
|                 | Continuous total power dissipation <sup>(3)</sup> |   | Internally limited                |
|                 | Total power dissipation                           |   | See Dissipation Rating Table      |
| ESD             | Bus terminals and GND                             | HBM (Human Body Model) EIA/JESD22-A114 <sup>(4)</sup> | ±15 kV                            |
|                 | All pins  | HBM (Human Body Model) EIA/JESD22-A114 <sup>(4)</sup> | ±3 kV                             |
|                 |   | MM (Machine Model) EIA/JESD22-A115                    | ±400 V                            |
|                 |   | CDM (Charge Device Model) EIA/JESD22-C101             | ±1.5 kV                           |

- (1) Stresses beyond those listed under *absolute maximum ratings* may cause permanent damage to the device. These are stress ratings only, and functional operation of the device at these or any other conditions beyond those indicated under *recommended operating conditions* is not implied. Exposure to absolute-maximum-rated conditions for extended periods may affect device reliability.
- (2) All voltage values are with respect to GND except for differential input or output voltages.
- (3) The maximum operating junction temperature is internally limited. Use the dissipation rating table to operate below this temperature.
- (4) Tested in accordance with MIL-STD-883C, Method 3015.7.

## DISSIPATION RATINGS

| PACKAGE | T <sub>A</sub> ≤ 25°C<br>POWER RATING | DERATING FACTOR <sup>(1)</sup><br>ABOVE T <sub>A</sub> = 25°C | T <sub>A</sub> = 70°C<br>POWER RATING | T <sub>A</sub> = 85°C<br>POWER RATING |
|---------|---------------------------------------|---|---------------------------------------|---------------------------------------|
| D       | 950 mW                                | 7.6 mW/°C   | 608 mW                                | 494 mW                                |
| N       | 1150 mW                               | 9.2 mW/°C   | 736 mW                                | 598 mW                                |

- (1) This is the inverse of the junction-to-ambient thermal resistance when board-mounted and with no air flow.

## RECOMMENDED OPERATING CONDITIONS

|                 |   |                            | MIN                | NOM | MAX             | UNIT |
|-----------------|---|----------------------------|--------------------|-----|-----------------|------|
| V <sub>CC</sub> | Supply voltage  |                            | 4.75               | 5   | 5.25            | V    |
| V <sub>IH</sub> | High-level input voltage                                | D, DE, and $\overline{RE}$ | 2                  |     | V <sub>CC</sub> | V    |
| V <sub>IL</sub> | Low-level input voltage                                 | D, DE, and $\overline{RE}$ | 0                  |     | 0.8             | V    |
| V <sub>ID</sub> | Differential input voltage <sup>(1)</sup>               |                            | –12 <sup>(2)</sup> |     | 12              | V    |
| V <sub>O</sub>  | Voltage at any bus terminal (separately or common mode) | A, B, Y, or Z              | –7                 |     | 12              | V    |
| V <sub>I</sub>  |   |                            |                    |     |                 |      |
| V <sub>IC</sub> |   |                            |                    |     |                 |      |
| I <sub>OH</sub> | High-level output current                               | Y or Z                     | –60                |     |                 | mA   |
|                 |   | R                          | –8                 |     |                 |      |
| I <sub>OL</sub> | Low-level output current                                | Y or Z                     |                    |     | 60              | mA   |
|                 |   | R                          |                    |     | 8               |      |
| T <sub>A</sub>  | Operating free-air temperature                          | SN65LBC180A                | –40                |     | 85              | °C   |
|                 |   | SN75LBC180A                | 0                  |     | 70              |      |

- (1) Differential input/output bus voltage is measured at the noninverting terminal with respect to the inverting terminal.
- (2) The algebraic convention, where the least positive (more negative) limit is designated minimum, is used in this data sheet.

## DRIVER ELECTRICAL CHARACTERISTICS

over recommended operating conditions (unless otherwise noted)

| PARAMETER         |   | TEST CONDITIONS   |                                       | MIN  | TYP <sup>(1)</sup> | MAX | UNIT          |
|-------------------|---|---|---------------------------------------|------|--------------------|-----|---------------|
| $V_{IK}$          | Input clamp voltage   | $I_I = -18 \text{ mA}$                                    |                                       | -1.5 | -0.8               |     | V             |
| $ V_{OD} $        | Differential output voltage magnitude                             | $R_L = 54 \Omega$ ,<br>See <a href="#">Figure 1</a>       | SN65LBC180A                           | 1    | 1.5                | 3   | V             |
|                   |   |   | SN75LBC180A                           | 1.1  | 1.5                | 3   |               |
|                   |   | $R_L = 60 \Omega$ ,<br>See <a href="#">Figure 2</a>       | SN65LBC180A                           | 1    | 1.5                | 3   | V             |
|                   |   |   | SN75LBC180A                           | 1.1  | 1.5                | 3   |               |
| $\Delta  V_{OD} $ | Change in magnitude of differential output voltage <sup>(2)</sup> | See <a href="#">Figure 1</a> and <a href="#">Figure 2</a> |                                       | -0.2 |                    | 0.2 | V             |
| $V_{OC(ss)}$      | Steady-state common-mode output voltage                           | See <a href="#">Figure 1</a>                              |                                       | 1.8  | 2.4                | 2.8 | V             |
| $\Delta V_{OC}$   | Change in steady-state common-mode output voltage <sup>(2)</sup>  |   |                                       | -0.1 |                    | 0.1 | V             |
| $I_O$             | Output current with power off                                     | $V_{CC} = 0$ ,  | $V_O = -7 \text{ V to } 12 \text{ V}$ | -10  |                    | 10  | $\mu\text{A}$ |
| $I_{IH}$          | High-level input current  | $V_I = 2 \text{ V}$                                       |                                       | -100 |                    |     | $\mu\text{A}$ |
| $I_{IL}$          | Low-level input current   | $V_I = 0.8 \text{ V}$                                     |                                       | -100 |                    |     | $\mu\text{A}$ |
| $I_{OS}$          | Short-circuit output current                                      | $-7 \text{ V} \leq V_O \leq 12 \text{ V}$                 |                                       | -250 | $\pm 70$           | 250 | mA            |
| $I_{CC}$          | Supply current  | $V_I = 0$ or $V_{CC}$ ,<br>No load                        | Receiver disabled and driver enabled  |      | 5.5                | 9   | mA            |
|                   |   |   | Receiver disabled and driver disabled |      | 0.5                | 1   |               |
|                   |   |   | Receiver enabled and driver enabled   |      | 8.5                | 15  |               |

 (1) All typical values are at  $V_{CC} = 5 \text{ V}$ ,  $T_A = 25^\circ\text{C}$ .

 (2)  $\Delta |V_{OD}|$  and  $\Delta |V_{OC}|$  are the changes in the steady-state magnitude of  $V_{OD}$  and  $V_{OC}$ , respectively, that occur when the input is changed from a high level to a low level.

## DRIVER SWITCHING CHARACTERISTICS

over recommended operating conditions (unless otherwise noted)

| PARAMETER   |   | TEST CONDITIONS   | MIN | TYP | MAX | UNIT |
|-------------|---|---|-----|-----|-----|------|
| $t_{PLH}$   | Propagation delay time, low-to-high-level output            | $R_L = 54 \Omega$ , $C_L = 50 \text{ pF}$ ,<br>See <a href="#">Figure 3</a> | 2   | 6   | 12  | ns   |
| $t_{PHL}$   | Propagation delay time, high-to-low-level output            |   | 2   | 6   | 12  | ns   |
| $t_{sk(p)}$ | Pulse skew ( $ t_{PLH} - t_{PHL} $ )                        |   | 0.3 |     | 1   | ns   |
| $t_r$       | Differential output signal rise time                        |   | 4   | 7.5 | 11  | ns   |
| $t_f$       | Differential output signal fall time                        |   | 4   | 7.5 | 11  | ns   |
| $t_{PZH}$   | Propagation delay time, high-impedance-to-high-level output | $R_L = 110 \Omega$ , See <a href="#">Figure 4</a>                           |     | 12  | 22  | ns   |
| $t_{PZL}$   | Propagation delay time, high-impedance-to-low-level output  | $R_L = 110 \Omega$ , See <a href="#">Figure 5</a>                           |     | 12  | 22  | ns   |
| $t_{PHZ}$   | Propagation delay time, high-level-to-high-impedance output | $R_L = 110 \Omega$ , See <a href="#">Figure 4</a>                           |     | 12  | 22  | ns   |
| $t_{PLZ}$   | Propagation delay time, low-level-to-high-impedance output  | $R_L = 110 \Omega$ , See <a href="#">Figure 5</a>                           |     | 12  | 22  | ns   |

## RECEIVER ELECTRICAL CHARACTERISTICS

over recommended operating conditions (unless otherwise noted)

| PARAMETER   | TEST CONDITIONS                                    | MIN                                   | TYP <sup>(1)</sup> | MAX  | UNIT |    |
|---|--|---------------------------------------|--------------------|------|------|----|
| V <sub>IT+</sub> Positive-going input threshold voltage                     | I <sub>O</sub> = -8 mA                             |                                       |                    | 0.2  | V    |    |
| V <sub>IT-</sub> Negative-going input threshold voltage                     | I <sub>O</sub> = 8 mA                              | -0.2                                  |                    |      | V    |    |
| V <sub>hys</sub> Hysteresis voltage ( V <sub>IT+</sub> - V <sub>IT-</sub> ) |  |                                       | 50                 |      | mV   |    |
| V <sub>IK</sub> Enable-input clamp voltage                                  | I <sub>I</sub> = -18 mA                            | -1.5                                  | -0.8               |      | V    |    |
| V <sub>OH</sub> High-level output voltage                                   | V <sub>ID</sub> = 200 mV, I <sub>OH</sub> = -8 mA  | 4                                     | 4.9                |      | V    |    |
| V <sub>OL</sub> Low-level output voltage                                    | V <sub>ID</sub> = -200 mV, I <sub>OL</sub> = 8 mA  |                                       | 0.1                | 0.8  | V    |    |
| I <sub>OZ</sub> High-impedance-state output current                         | V <sub>O</sub> = 0 V to V <sub>CC</sub>            | -1                                    |                    | 1    | μA   |    |
| I <sub>IH</sub> High-level enable-input current                             | V <sub>IH</sub> = 2.4 V                            | -100                                  |                    |      | μA   |    |
| I <sub>IL</sub> Low-level enable-input current                              | V <sub>IL</sub> = 0.4 V                            | -100                                  |                    |      | μA   |    |
| I <sub>I</sub> Bus input current  | V <sub>I</sub> = 12 V,<br>V <sub>CC</sub> = 5 V    | Other input at 0 V                    |                    | 0.4  | 1    | mA |
|   | V <sub>I</sub> = 12 V,<br>V <sub>CC</sub> = 0      |                                       |                    | 0.5  | 1    |    |
|   | V <sub>I</sub> = -7 V,<br>V <sub>CC</sub> = 5 V    |                                       |                    | -0.8 | -0.4 |    |
|   | V <sub>I</sub> = -7 V,<br>V <sub>CC</sub> = 0      |                                       |                    | -0.8 | -0.3 |    |
| I <sub>CC</sub> Supply current  | V <sub>I</sub> = 0 or V <sub>CC</sub> ,<br>No load | Receiver enabled and driver disabled  |                    | 4.5  | 7.5  | mA |
|   |  | Receiver disabled and driver disabled |                    | 0.5  | 1    |    |
|   |  | Receiver enabled and driver enabled   |                    | 8.5  | 15   |    |

(1) All typical values are at V<sub>CC</sub> = 5 V and T<sub>A</sub> = 25°C.

## RECEIVER SWITCHING CHARACTERISTICS

over recommended operating conditions (unless otherwise noted)

| PARAMETER   | TEST CONDITIONS                                 | MIN | TYP | MAX | UNIT |
|---|---|-----|-----|-----|------|
| t <sub>PLH</sub> Propagation delay time, low-to-high-level output         | V <sub>ID</sub> = -1.5 V to 1.5 V, See Figure 7 | 7   | 13  | 20  | ns   |
| t <sub>PHL</sub> Propagation delay time, high-to-low-level output         |   | 7   | 13  | 20  | ns   |
| t <sub>sk(p)</sub> Pulse skew (   t <sub>PHL</sub> - t <sub>PLH</sub>   ) |   | 0.5 | 1.5 |     | ns   |
| t <sub>r</sub> Output signal rise time                                    |   | 2.1 | 3.3 |     | ns   |
| t <sub>f</sub> Output signal fall time                                    | See Figure 7                                    | 2.1 | 3.3 |     | ns   |
| t <sub>PZH</sub> Output enable time to high level                         | C <sub>L</sub> = 10 pF, See Figure 8            |     | 30  | 45  | ns   |
| t <sub>PZL</sub> Output enable time to low level                          |   |     | 30  | 45  | ns   |
| t <sub>PHZ</sub> Output disable time from high level                      |   |     | 20  | 40  | ns   |
| t <sub>PLZ</sub> Output disable time from low level                       |   |     | 20  | 40  | ns   |

## PARAMETER MEASUREMENT INFORMATION

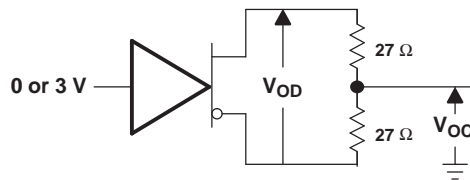


Figure 1. Driver V<sub>OD</sub> and V<sub>OC</sub>

PARAMETER MEASUREMENT INFORMATION (continued)

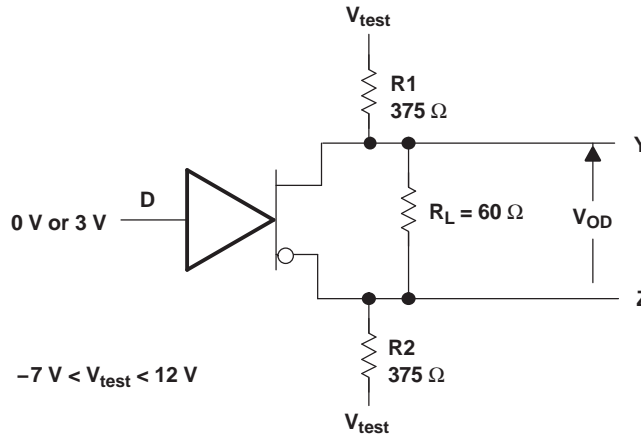
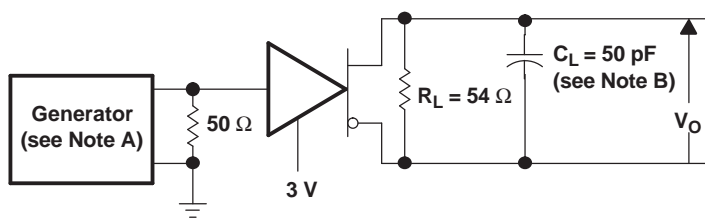
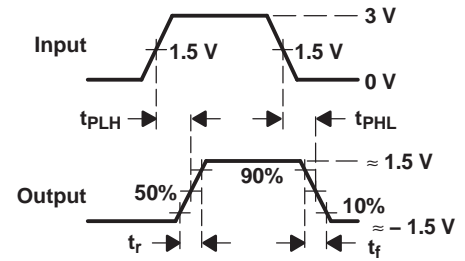


Figure 2. Driver  $V_{OD}$



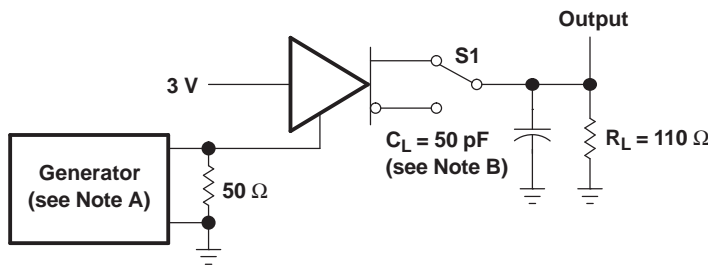
TEST CIRCUIT



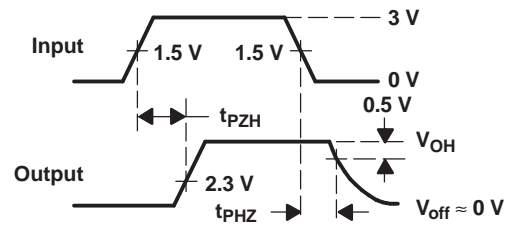
VOLTAGE WAVEFORMS

- A. The input pulse is supplied by a generator having the following characteristics:  $PRR \leq 1$  MHz, 50% duty cycle,  $t_r \leq 6$  ns,  $t_f \leq 6$  ns,  $Z_O = 50 \Omega$ .
- B.  $C_L$  includes probe and jig capacitance.

Figure 3. Driver Test Circuit and Voltage Waveforms



TEST CIRCUIT

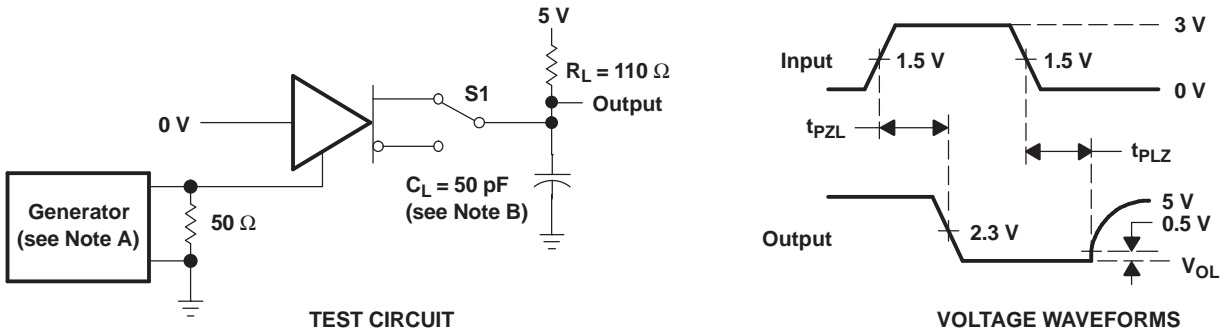


VOLTAGE WAVEFORMS

- A. The input pulse is supplied by a generator having the following characteristics:  $PRR \leq 1$  MHz, 50% duty cycle,  $t_r \leq 6$  ns,  $t_f \leq 6$  ns,  $Z_O = 50 \Omega$ .
- B.  $C_L$  includes probe and jig capacitance.

Figure 4. Driver Test Circuit and Voltage Waveforms

PARAMETER MEASUREMENT INFORMATION (continued)



- A. The input pulse is supplied by a generator having the following characteristics: PRR  $\leq$  1 MHz, 50% duty cycle,  $t_r \leq 6$  ns,  $t_f \leq 6$  ns,  $Z_O = 50 \Omega$ .
- B.  $C_L$  includes probe and jig capacitance.

Figure 5. Driver Test Circuit and Voltage Waveforms

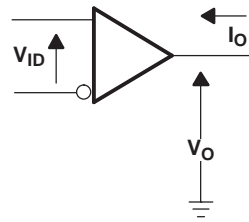
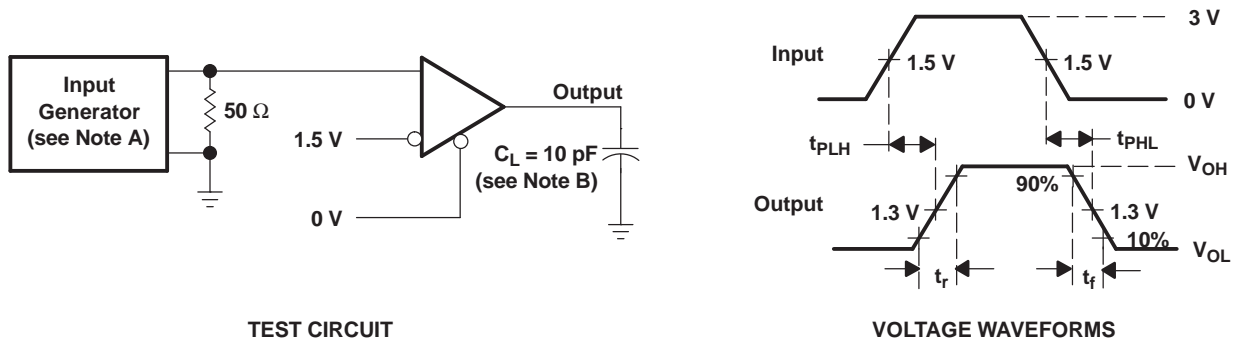


Figure 6. Receiver  $V_{OH}$  and  $V_{OL}$

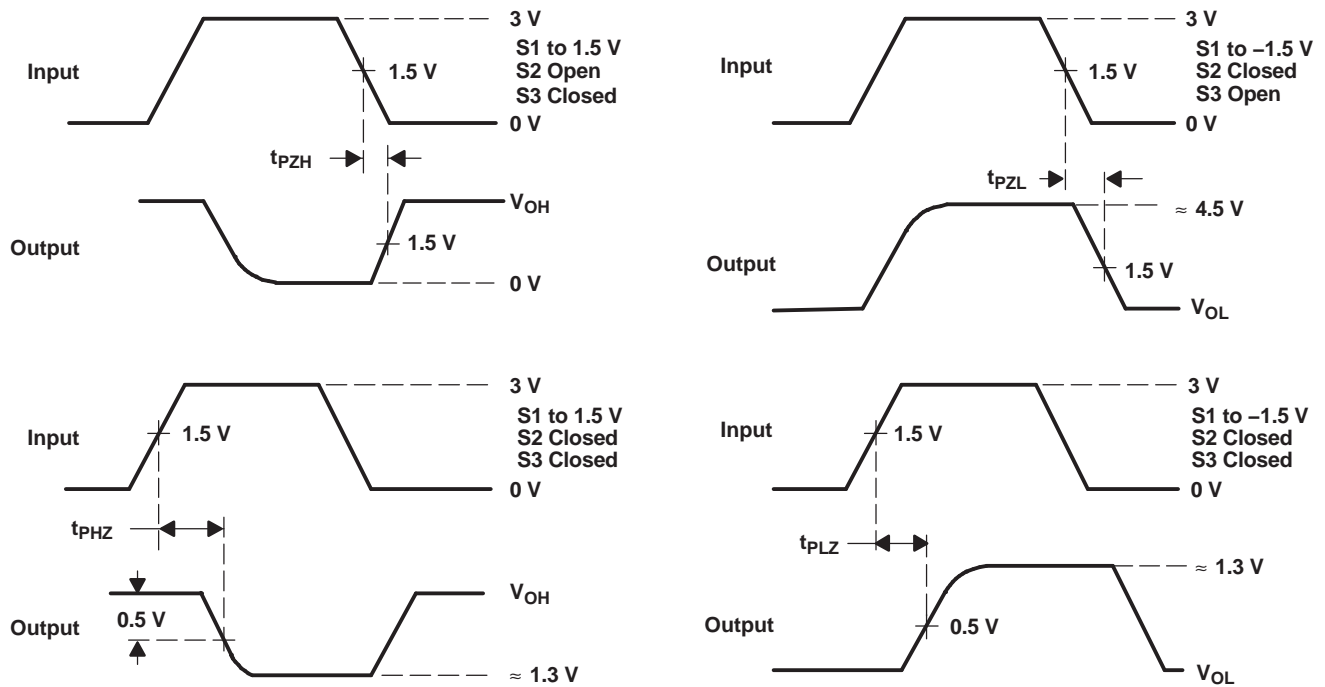
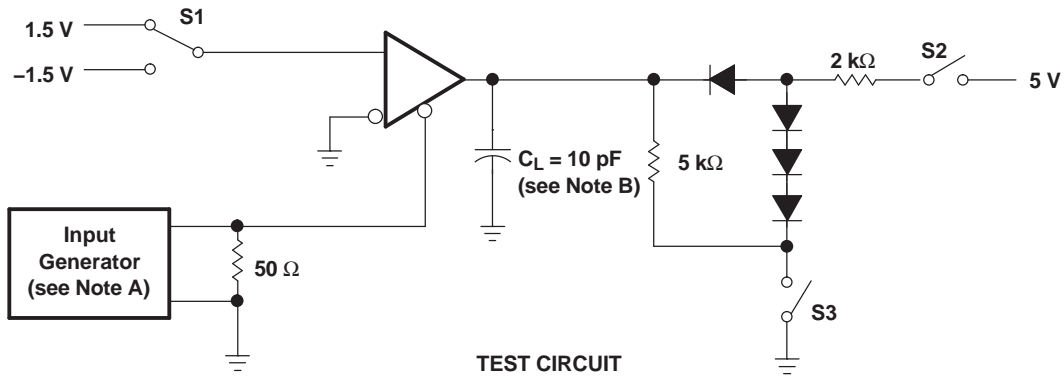


- A. The input pulse is supplied by a generator having the following characteristics: PRR  $\leq$  1 MHz, 50% duty cycle,  $t_r \leq 6$  ns,  $t_f \leq 6$  ns,  $Z_O = 50 \Omega$ .
- B.  $C_L$  includes probe and jig capacitance.

Figure 7. Receiver Test Circuit and Voltage Waveforms



PARAMETER MEASUREMENT INFORMATION (continued)



VOLTAGE WAVEFORMS

- A. The input pulse is supplied by a generator having the following characteristics: PRR ≤ 1 MHz, 50% duty cycle, t<sub>r</sub> ≤ 6 ns, t<sub>f</sub> ≤ 6 ns, Z<sub>O</sub> = 50 Ω.
- B. C<sub>L</sub> includes probe and jig capacitance.

Figure 8. Receiver Output Enable and Disable Times

TYPICAL CHARACTERISTICS

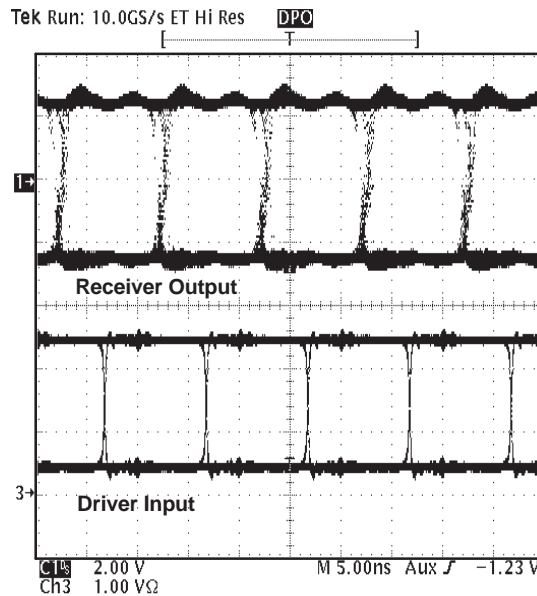
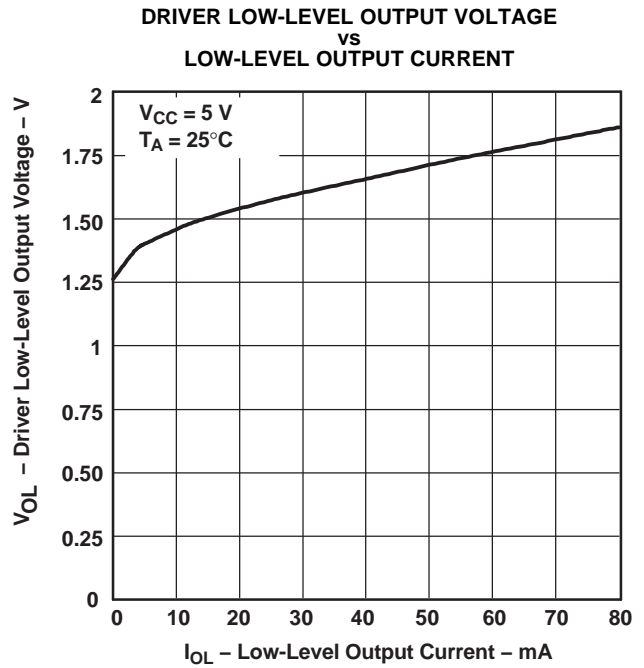
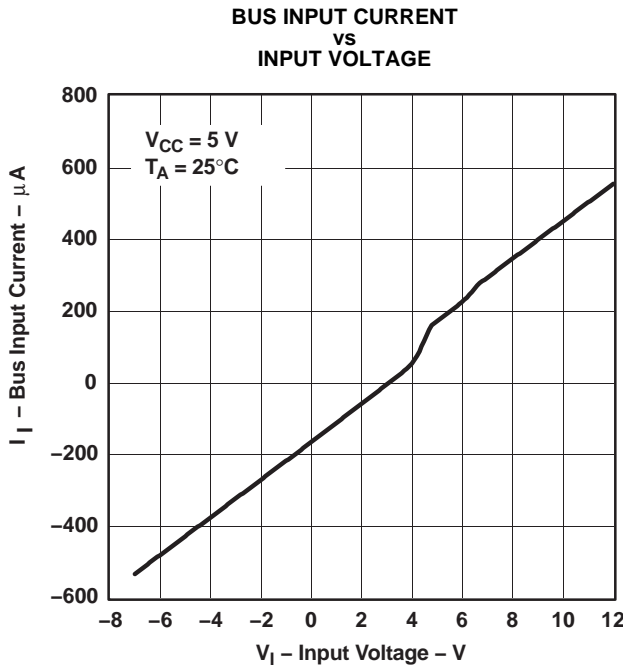
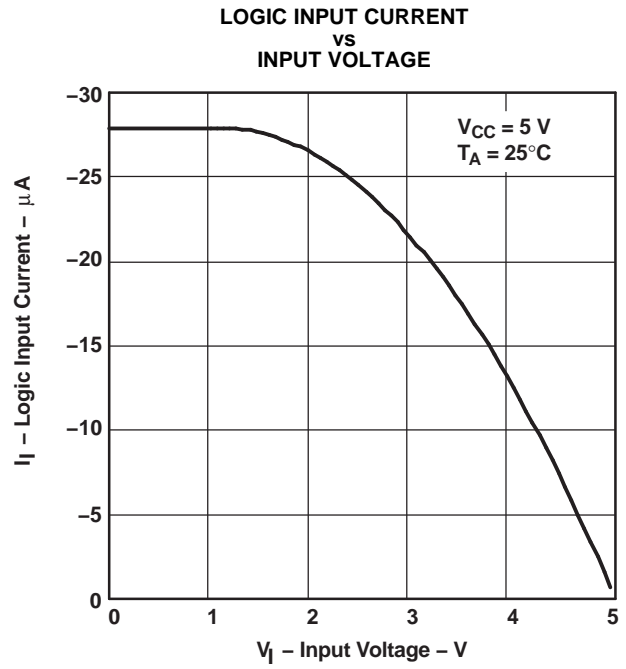
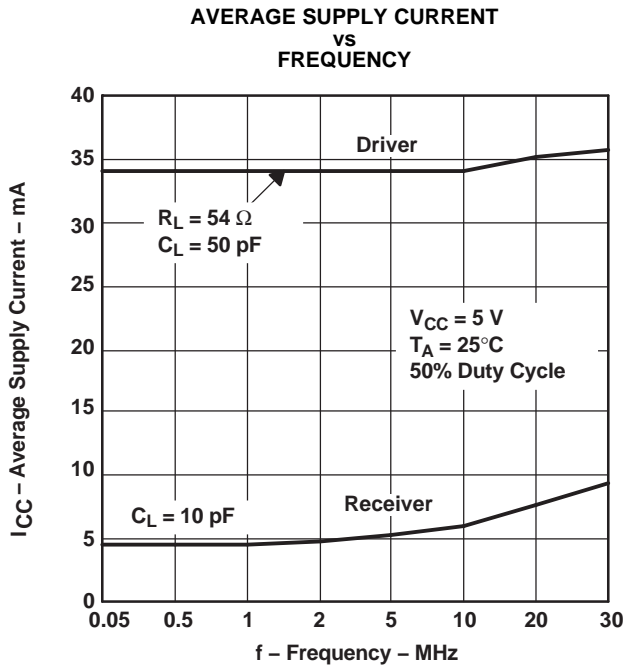


Figure 9. Typical Waveform of Nonreturn-to-Zero (NRZ), Pseudorandom Binary Sequence (PRBS) Data at 100 Mbps Through 15m, of CAT 5 Unshielded Twisted Pair (UTP) Cable

TIA/EIA-485-A defines a maximum signaling rate as that in which the transition time of the voltage transition of a logic-state change remains less than or equal to 30% of the bit length. Transition times of greater length perform quite well even though they do not meet the standard by definition.

TYPICAL CHARACTERISTICS (continued)



TYPICAL CHARACTERISTICS (continued)

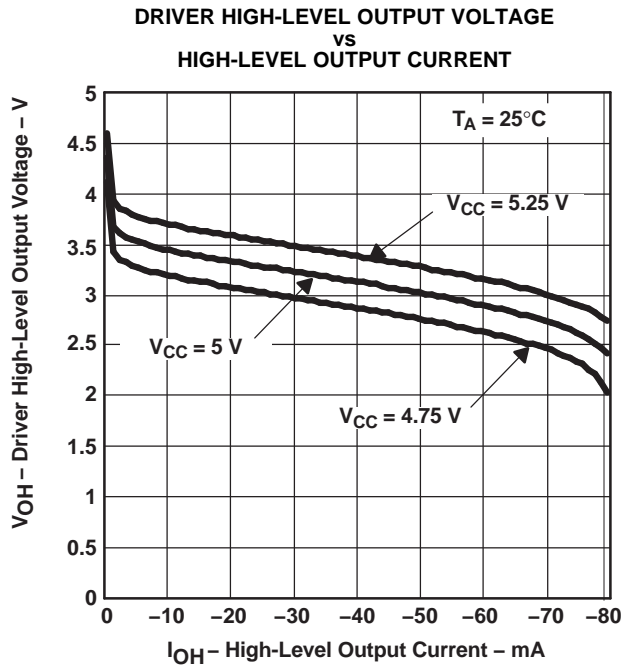


Figure 14.

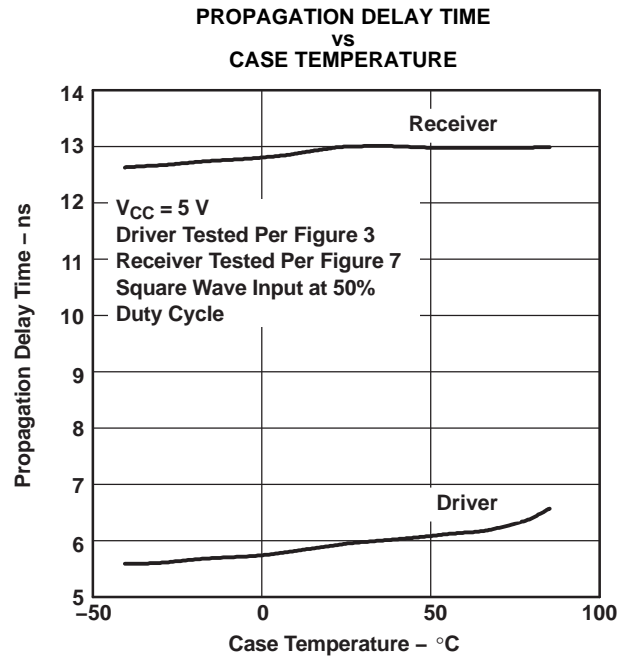
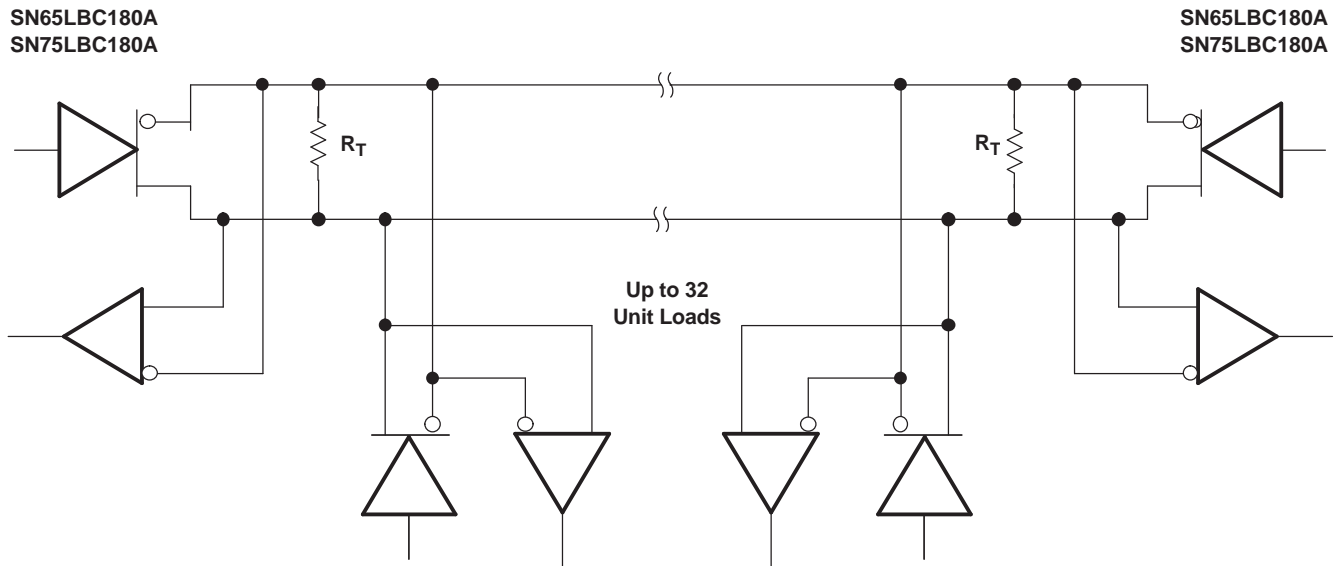


Figure 15.

### APPLICATION INFORMATION



- A. The line should be terminated at both ends in its characteristic impedance ( $R_T = Z_0$ ). Stub lengths off the main line should be kept as short as possible. One SN65LBC180A typically represents less than one unit load.

**Figure 16. Typical Application Circuit**

### Revision History

**PACKAGING INFORMATION**

| Orderable Device | Status <sup>(1)</sup> | Package Type | Package Drawing | Pins | Package Qty | Eco Plan <sup>(2)</sup> | Lead/Ball Finish | MSL Peak Temp <sup>(3)</sup> |
|------------------|-----------------------|--------------|-----------------|------|-------------|-------------------------|------------------|------------------------------|
| SN65LBC180AD     | ACTIVE                | SOIC         | D               | 14   | 50          | Green (RoHS & no Sb/Br) | CU NIPDAU        | Level-1-260C-UNLIM           |
| SN65LBC180ADG4   | ACTIVE                | SOIC         | D               | 14   | 50          | Green (RoHS & no Sb/Br) | CU NIPDAU        | Level-1-260C-UNLIM           |
| SN65LBC180ADR    | ACTIVE                | SOIC         | D               | 14   | 2500        | Green (RoHS & no Sb/Br) | CU NIPDAU        | Level-1-260C-UNLIM           |
| SN65LBC180ADRG4  | ACTIVE                | SOIC         | D               | 14   | 2500        | Green (RoHS & no Sb/Br) | CU NIPDAU        | Level-1-260C-UNLIM           |
| SN65LBC180AN     | ACTIVE                | PDIP         | N               | 14   | 25          | Pb-Free (RoHS)          | CU NIPDAU        | N / A for Pkg Type           |
| SN65LBC180ANE4   | ACTIVE                | PDIP         | N               | 14   | 25          | Pb-Free (RoHS)          | CU NIPDAU        | N / A for Pkg Type           |
| SN75LBC180AD     | ACTIVE                | SOIC         | D               | 14   | 50          | Green (RoHS & no Sb/Br) | CU NIPDAU        | Level-1-260C-UNLIM           |
| SN75LBC180ADG4   | ACTIVE                | SOIC         | D               | 14   | 50          | Green (RoHS & no Sb/Br) | CU NIPDAU        | Level-1-260C-UNLIM           |
| SN75LBC180ADR    | ACTIVE                | SOIC         | D               | 14   | 2500        | Green (RoHS & no Sb/Br) | CU NIPDAU        | Level-1-260C-UNLIM           |
| SN75LBC180ADRG4  | ACTIVE                | SOIC         | D               | 14   | 2500        | Green (RoHS & no Sb/Br) | CU NIPDAU        | Level-1-260C-UNLIM           |
| SN75LBC180AN     | ACTIVE                | PDIP         | N               | 14   | 25          | Pb-Free (RoHS)          | CU NIPDAU        | N / A for Pkg Type           |
| SN75LBC180ANE4   | ACTIVE                | PDIP         | N               | 14   | 25          | Pb-Free (RoHS)          | CU NIPDAU        | N / A for Pkg Type           |

<sup>(1)</sup> The marketing status values are defined as follows:

**ACTIVE:** Product device recommended for new designs.

**LIFEBUY:** TI has announced that the device will be discontinued, and a lifetime-buy period is in effect.

**NRND:** Not recommended for new designs. Device is in production to support existing customers, but TI does not recommend using this part in a new design.

**PREVIEW:** Device has been announced but is not in production. Samples may or may not be available.

**OBSOLETE:** TI has discontinued the production of the device.

<sup>(2)</sup> Eco Plan - The planned eco-friendly classification: Pb-Free (RoHS), Pb-Free (RoHS Exempt), or Green (RoHS & no Sb/Br) - please check <http://www.ti.com/productcontent> for the latest availability information and additional product content details.

**TBD:** The Pb-Free/Green conversion plan has not been defined.

**Pb-Free (RoHS):** TI's terms "Lead-Free" or "Pb-Free" mean semiconductor products that are compatible with the current RoHS requirements for all 6 substances, including the requirement that lead not exceed 0.1% by weight in homogeneous materials. Where designed to be soldered at high temperatures, TI Pb-Free products are suitable for use in specified lead-free processes.

**Pb-Free (RoHS Exempt):** This component has a RoHS exemption for either 1) lead-based flip-chip solder bumps used between the die and package, or 2) lead-based die adhesive used between the die and leadframe. The component is otherwise considered Pb-Free (RoHS compatible) as defined above.

**Green (RoHS & no Sb/Br):** TI defines "Green" to mean Pb-Free (RoHS compatible), and free of Bromine (Br) and Antimony (Sb) based flame retardants (Br or Sb do not exceed 0.1% by weight in homogeneous material)

<sup>(3)</sup> MSL, Peak Temp. -- The Moisture Sensitivity Level rating according to the JEDEC industry standard classifications, and peak solder temperature.

**Important Information and Disclaimer:**The information provided on this page represents TI's knowledge and belief as of the date that it is provided. TI bases its knowledge and belief on information provided by third parties, and makes no representation or warranty as to the accuracy of such information. Efforts are underway to better integrate information from third parties. TI has taken and continues to take reasonable steps to provide representative and accurate information but may not have conducted destructive testing or chemical analysis on incoming materials and chemicals. TI and TI suppliers consider certain information to be proprietary, and thus CAS numbers and other limited information may not be available for release.

In no event shall TI's liability arising out of such information exceed the total purchase price of the TI part(s) at issue in this document sold by TI to Customer on an annual basis.

**TAPE AND REEL INFORMATION**

**QUADRANT ASSIGNMENTS FOR PIN 1 ORIENTATION IN TAPE**


\*All dimensions are nominal

| Device        | Package Type | Package Drawing | Pins | SPQ  | Reel Diameter (mm) | Reel Width W1 (mm) | A0 (mm) | B0 (mm) | K0 (mm) | P1 (mm) | W (mm) | Pin1 Quadrant |
|---------------|--------------|-----------------|------|------|--------------------|--------------------|---------|---------|---------|---------|--------|---------------|
| SN65LBC180ADR | SOIC         | D               | 14   | 2500 | 330.0              | 16.4               | 6.5     | 9.0     | 2.1     | 8.0     | 16.0   | Q1            |
| SN75LBC180ADR | SOIC         | D               | 14   | 2500 | 330.0              | 16.4               | 6.5     | 9.0     | 2.1     | 8.0     | 16.0   | Q1            |



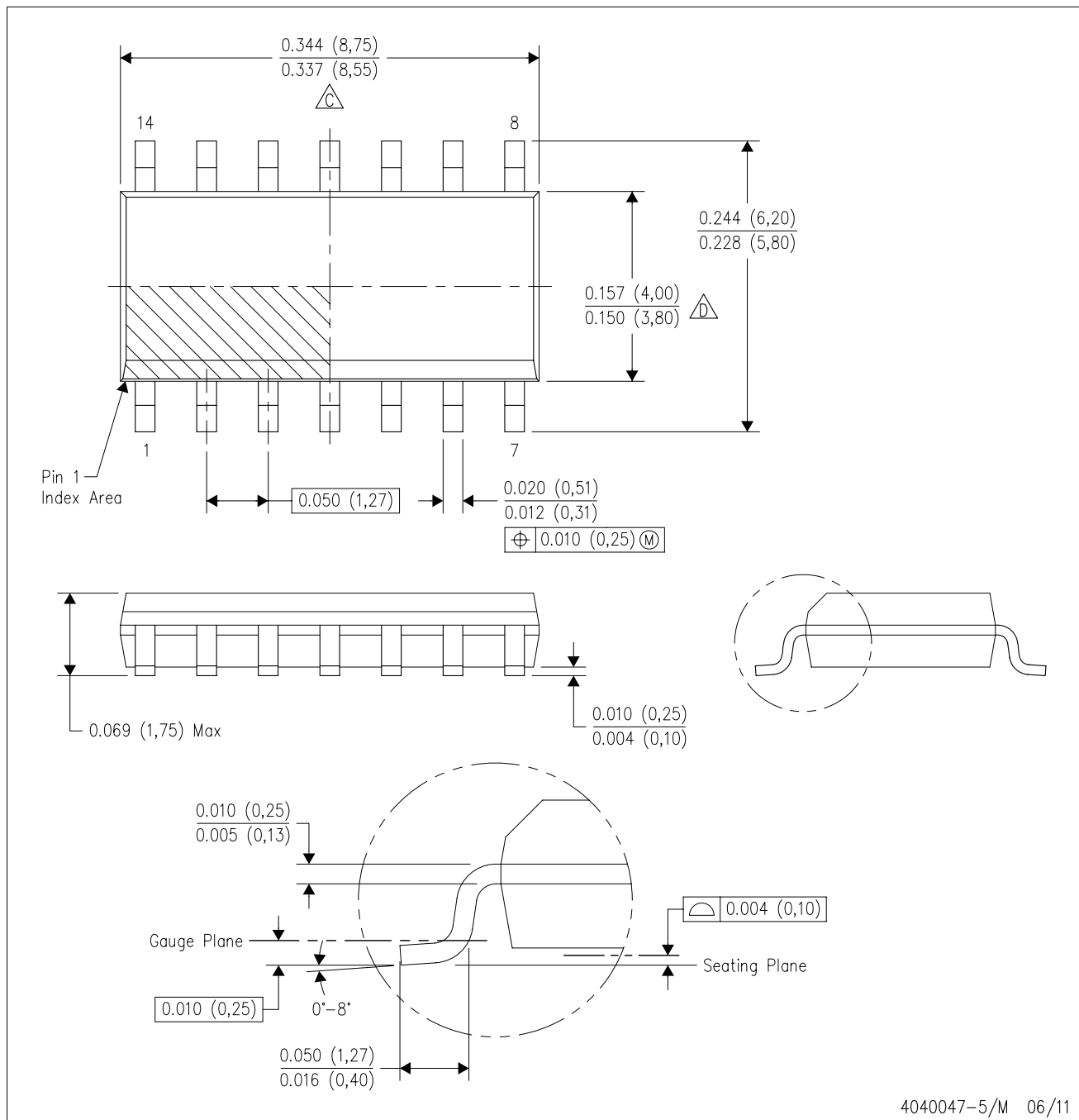
**TAPE AND REEL BOX DIMENSIONS**


\*All dimensions are nominal

| Device        | Package Type | Package Drawing | Pins | SPQ  | Length (mm) | Width (mm) | Height (mm) |
|---------------|--------------|-----------------|------|------|-------------|------------|-------------|
| SN65LBC180ADR | SOIC         | D               | 14   | 2500 | 333.2       | 345.9      | 28.6        |
| SN75LBC180ADR | SOIC         | D               | 14   | 2500 | 333.2       | 345.9      | 28.6        |

D (R-PDSO-G14)

PLASTIC SMALL OUTLINE



- NOTES:
- A. All linear dimensions are in inches (millimeters).
  - B. This drawing is subject to change without notice.
  - $\triangle C$  Body length does not include mold flash, protrusions, or gate burrs. Mold flash, protrusions, or gate burrs shall not exceed 0.006 (0,15) each side.
  - $\triangle D$  Body width does not include interlead flash. Interlead flash shall not exceed 0.017 (0,43) each side.
  - E. Reference JEDEC MS-012 variation AB.

D (R-PDSO-G14)

PLASTIC SMALL OUTLINE



4211283-3/E 08/12

- NOTES:
- All linear dimensions are in millimeters.
  - This drawing is subject to change without notice.
  - Publication IPC-7351 is recommended for alternate designs.
  - Laser cutting apertures with trapezoidal walls and also rounding corners will offer better paste release. Customers should contact their board assembly site for stencil design recommendations. Refer to IPC-7525 for other stencil recommendations.
  - Customers should contact their board fabrication site for solder mask tolerances between and around signal pads.

## IMPORTANT NOTICE

Texas Instruments Incorporated and its subsidiaries (TI) reserve the right to make corrections, enhancements, improvements and other changes to its semiconductor products and services per JESD46C and to discontinue any product or service per JESD48B. Buyers should obtain the latest relevant information before placing orders and should verify that such information is current and complete. All semiconductor products (also referred to herein as "components") are sold subject to TI's terms and conditions of sale supplied at the time of order acknowledgment.

TI warrants performance of its components to the specifications applicable at the time of sale, in accordance with the warranty in TI's terms and conditions of sale of semiconductor products. Testing and other quality control techniques are used to the extent TI deems necessary to support this warranty. Except where mandated by applicable law, testing of all parameters of each component is not necessarily performed.

TI assumes no liability for applications assistance or the design of Buyers' products. Buyers are responsible for their products and applications using TI components. To minimize the risks associated with Buyers' products and applications, Buyers should provide adequate design and operating safeguards.

TI does not warrant or represent that any license, either express or implied, is granted under any patent right, copyright, mask work right, or other intellectual property right relating to any combination, machine, or process in which TI components or services are used. Information published by TI regarding third-party products or services does not constitute a license to use such products or services or a warranty or endorsement thereof. Use of such information may require a license from a third party under the patents or other intellectual property of the third party, or a license from TI under the patents or other intellectual property of TI.

Reproduction of significant portions of TI information in TI data books or data sheets is permissible only if reproduction is without alteration and is accompanied by all associated warranties, conditions, limitations, and notices. TI is not responsible or liable for such altered documentation. Information of third parties may be subject to additional restrictions.

Resale of TI components or services with statements different from or beyond the parameters stated by TI for that component or service voids all express and any implied warranties for the associated TI component or service and is an unfair and deceptive business practice. TI is not responsible or liable for any such statements.

Buyer acknowledges and agrees that it is solely responsible for compliance with all legal, regulatory and safety-related requirements concerning its products, and any use of TI components in its applications, notwithstanding any applications-related information or support that may be provided by TI. Buyer represents and agrees that it has all the necessary expertise to create and implement safeguards which anticipate dangerous consequences of failures, monitor failures and their consequences, lessen the likelihood of failures that might cause harm and take appropriate remedial actions. Buyer will fully indemnify TI and its representatives against any damages arising out of the use of any TI components in safety-critical applications.

In some cases, TI components may be promoted specifically to facilitate safety-related applications. With such components, TI's goal is to help enable customers to design and create their own end-product solutions that meet applicable functional safety standards and requirements. Nonetheless, such components are subject to these terms.

No TI components are authorized for use in FDA Class III (or similar life-critical medical equipment) unless authorized officers of the parties have executed a special agreement specifically governing such use.

Only those TI components which TI has specifically designated as military grade or "enhanced plastic" are designed and intended for use in military/aerospace applications or environments. Buyer acknowledges and agrees that any military or aerospace use of TI components which have **not** been so designated is solely at the Buyer's risk, and that Buyer is solely responsible for compliance with all legal and regulatory requirements in connection with such use.

TI has specifically designated certain components which meet ISO/TS16949 requirements, mainly for automotive use. Components which have not been so designated are neither designed nor intended for automotive use; and TI will not be responsible for any failure of such components to meet such requirements.

### Products

|                        |  |
|------------------------|--|
| Audio                  | <a href="http://www.ti.com/audio">www.ti.com/audio</a>                               |
| Amplifiers             | <a href="http://amplifier.ti.com">amplifier.ti.com</a>                               |
| Data Converters        | <a href="http://dataconverter.ti.com">dataconverter.ti.com</a>                       |
| DLP® Products          | <a href="http://www.dlp.com">www.dlp.com</a>   |
| DSP                    | <a href="http://dsp.ti.com">dsp.ti.com</a>   |
| Clocks and Timers      | <a href="http://www.ti.com/clocks">www.ti.com/clocks</a>                             |
| Interface              | <a href="http://interface.ti.com">interface.ti.com</a>                               |
| Logic                  | <a href="http://logic.ti.com">logic.ti.com</a>                                       |
| Power Mgmt             | <a href="http://power.ti.com">power.ti.com</a>                                       |
| Microcontrollers       | <a href="http://microcontroller.ti.com">microcontroller.ti.com</a>                   |
| RFID                   | <a href="http://www.ti-rfid.com">www.ti-rfid.com</a>                                 |
| OMAP Mobile Processors | <a href="http://www.ti.com/omap">www.ti.com/omap</a>                                 |
| Wireless Connectivity  | <a href="http://www.ti.com/wirelessconnectivity">www.ti.com/wirelessconnectivity</a> |

### Applications

|                               |  |
|-------------------------------|--|
| Automotive and Transportation | <a href="http://www.ti.com/automotive">www.ti.com/automotive</a>                         |
| Communications and Telecom    | <a href="http://www.ti.com/communications">www.ti.com/communications</a>                 |
| Computers and Peripherals     | <a href="http://www.ti.com/computers">www.ti.com/computers</a>                           |
| Consumer Electronics          | <a href="http://www.ti.com/consumer-apps">www.ti.com/consumer-apps</a>                   |
| Energy and Lighting           | <a href="http://www.ti.com/energy">www.ti.com/energy</a>                                 |
| Industrial                    | <a href="http://www.ti.com/industrial">www.ti.com/industrial</a>                         |
| Medical                       | <a href="http://www.ti.com/medical">www.ti.com/medical</a>                               |
| Security                      | <a href="http://www.ti.com/security">www.ti.com/security</a>                             |
| Space, Avionics and Defense   | <a href="http://www.ti.com/space-avionics-defense">www.ti.com/space-avionics-defense</a> |
| Video and Imaging             | <a href="http://www.ti.com/video">www.ti.com/video</a>                                   |

**TI E2E Community** [e2e.ti.com](http://e2e.ti.com)