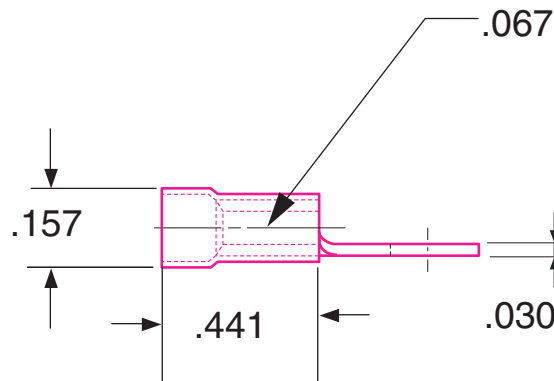
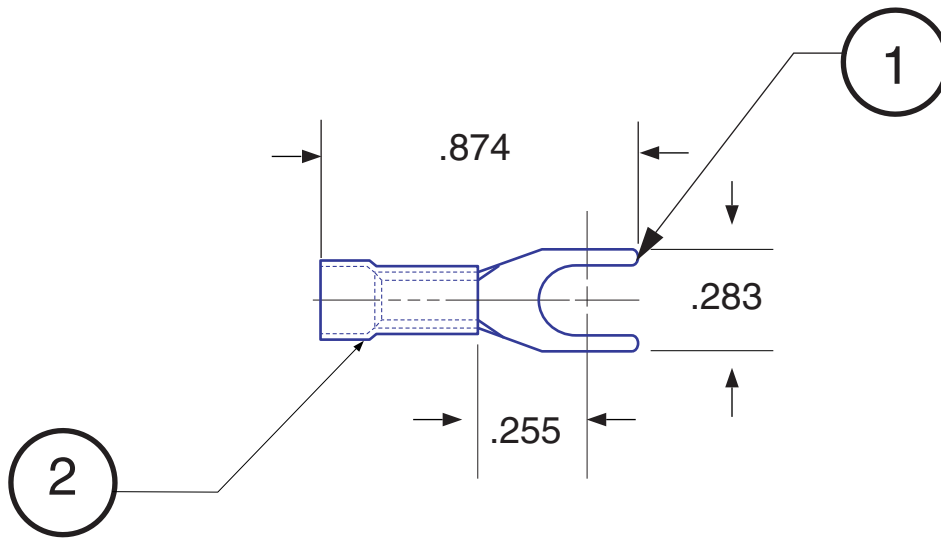


Spade Terminal
Part No: FVL2216S4AR2

STUD SIZE #8

SYM.	CHANGES	BY	DATE



Max Electric Current: 22-16 AWG : 19 Amp
Max Electric Rating: 75° C / 600 V Max
Tolerance ±.020



HOFFMAN PRODUCTS

20700 Hubbell Avenue, Oak Park, MI 48237
Tel: 1-800-645-2014 • Fax: 1-800-908-1295
Web: www.hoffmanproducts.com

NO.	1	2	3
NAME	TERMINAL	INSULATOR	FUNNEL ENTRY
MAT'L.	COPPER	VINYL	
REMARKS	TIN-PLATED	RED	
APPROVED BY:	CHECKED BY:	DRAWN BY:	

DATE:	TITLE: SPADE TERMINAL		
SCALE: FREE	PART NO. FVL2216S4AR2		
DRAWING NO. H1516	PART NAME	ISSUE	

HOFFMAN CADFILE