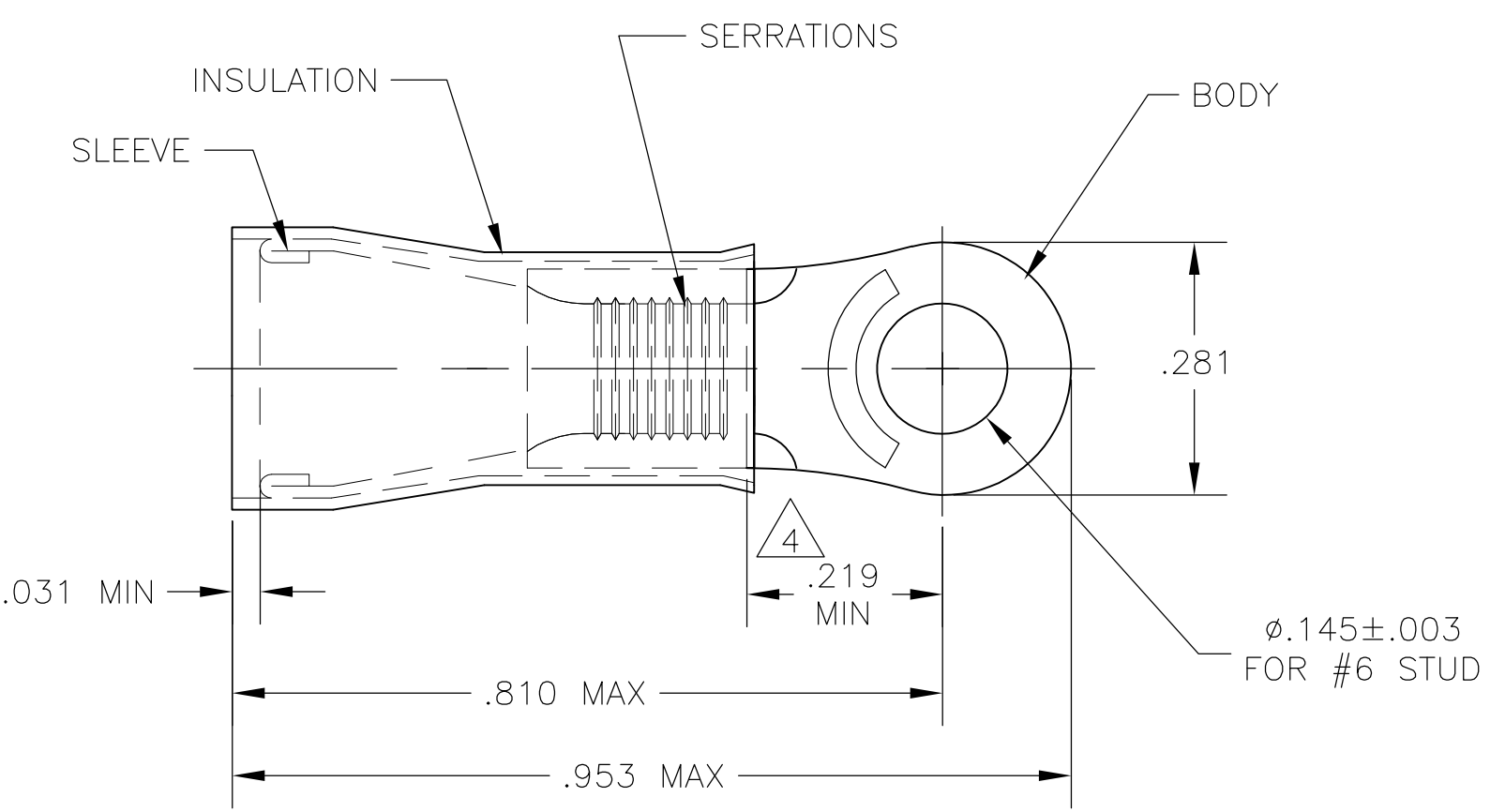


THIS DRAWING IS UNPUBLISHED. RELEASED FOR PUBLICATION
 © COPYRIGHT - By - ALL RIGHTS RESERVED.

LOC	DIST	REVISIONS					
G	02	P	LTR	DESCRIPTION	DATE	DWN	APVD
		E2		REVISED PER ECO-11-004917	11MAR11	RK	HMR



AMP WIRE RANGE	Listed FILE E13288	LR7189 Certified
12-10 AWG SOLID OR STRANDED	12-10 AWG SOLID OR STRANDED	12-10 AWG SOLID OR STRANDED

- 1 WIRE INSUL DIA .150-.230
- 2 MATERIAL: BODY - CU PER ASTM B152
SLEEVE - CU PER ASTM B152
INSULATION - NYLON (MIL-M-20693),
TYPE 1
- 3 FINISH: BODY & SLEEVE: TIN PER ASTM B-545
INSULATION - COLOR: YELLOW
- 4 APPLIES FROM THE EDGE OF METAL BARREL
TO THE CENTER OF THE STUD HOLE.

50	LOOSE PIECE, BOX	8-320634-2
2000	ON TAPE	2-320634-1
500	LOOSE PIECE	320634
QTY	PACKAGE TYPE	PART NO

MAX RECOMMENDED OPERATING TEMPERATURE: 105°C [221°F] VOLTAGE RATING: 300 V MAX CIRCULAR MIL AREA: 2.62-6.64mm ² [5,180-13,100] SOLID OR STRANDED	THIS DRAWING IS A CONTROLLED DOCUMENT.		DWN jr_ruth 12JUN09 CHK TOM MICHIELUTTI 12JUN09 APVD TOM MICHIELUTTI 12JUN09 PRODUCT SPEC APPLICATION SPEC WEIGHT -	TE Connectivity NAME TERMINAL, PIDG, RING TONGUE, WIRE SIZE: 12-10		SIZE CAGE CODE DRAWING NO RESTRICTED TO A3 00779 C-320634 -	
	DIMENSIONS: INCHES 	TOLERANCES UNLESS OTHERWISE SPECIFIED: 0 PLC ± - 1 PLC ± - 2 PLC ± - 3 PLC ± .008 4 PLC ± - ANGLES ± 5° MATERIAL 2 FINISH 3	CUSTOMER DRAWING			SCALE 5:1 SHEET 1 OF 1 REV E2	