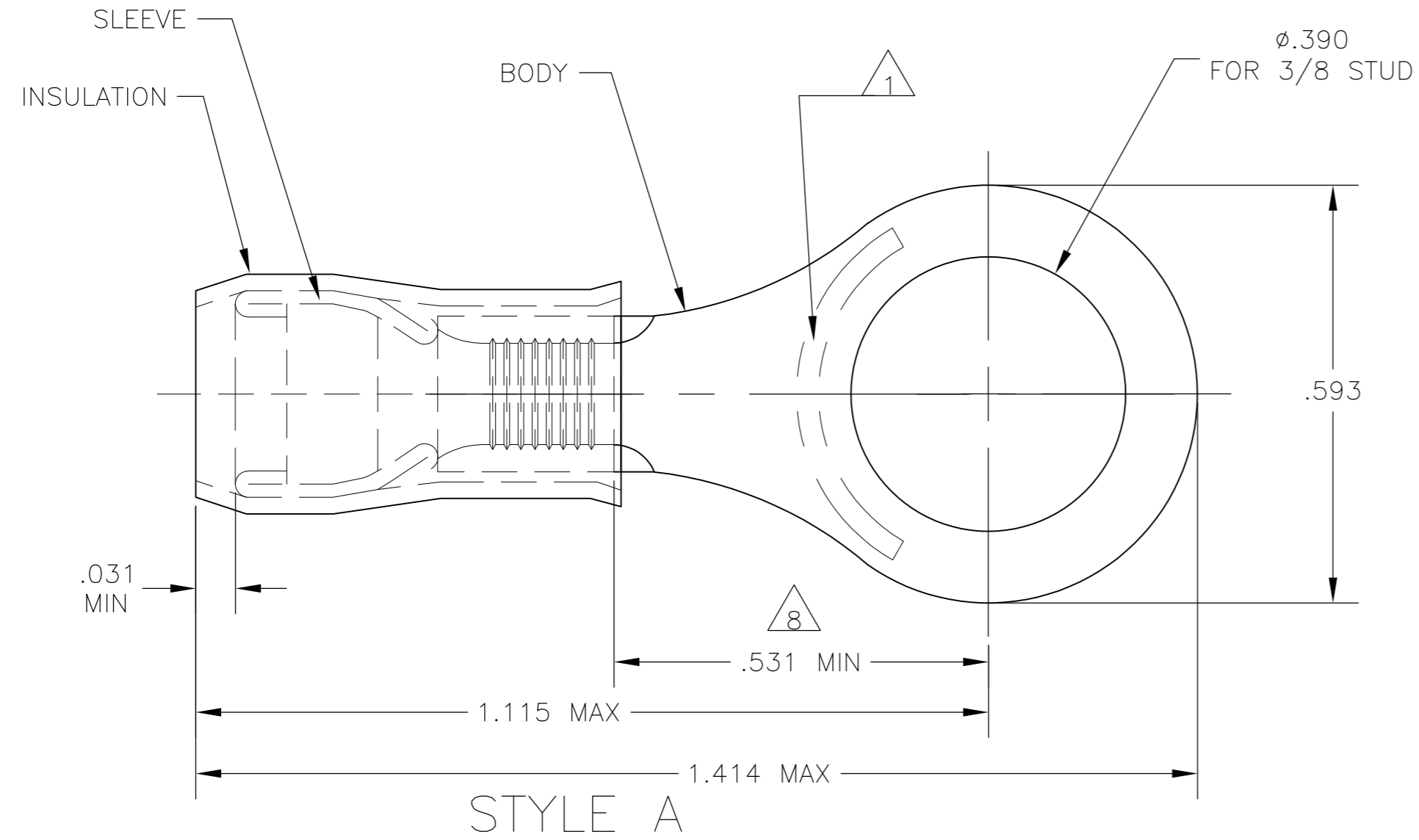
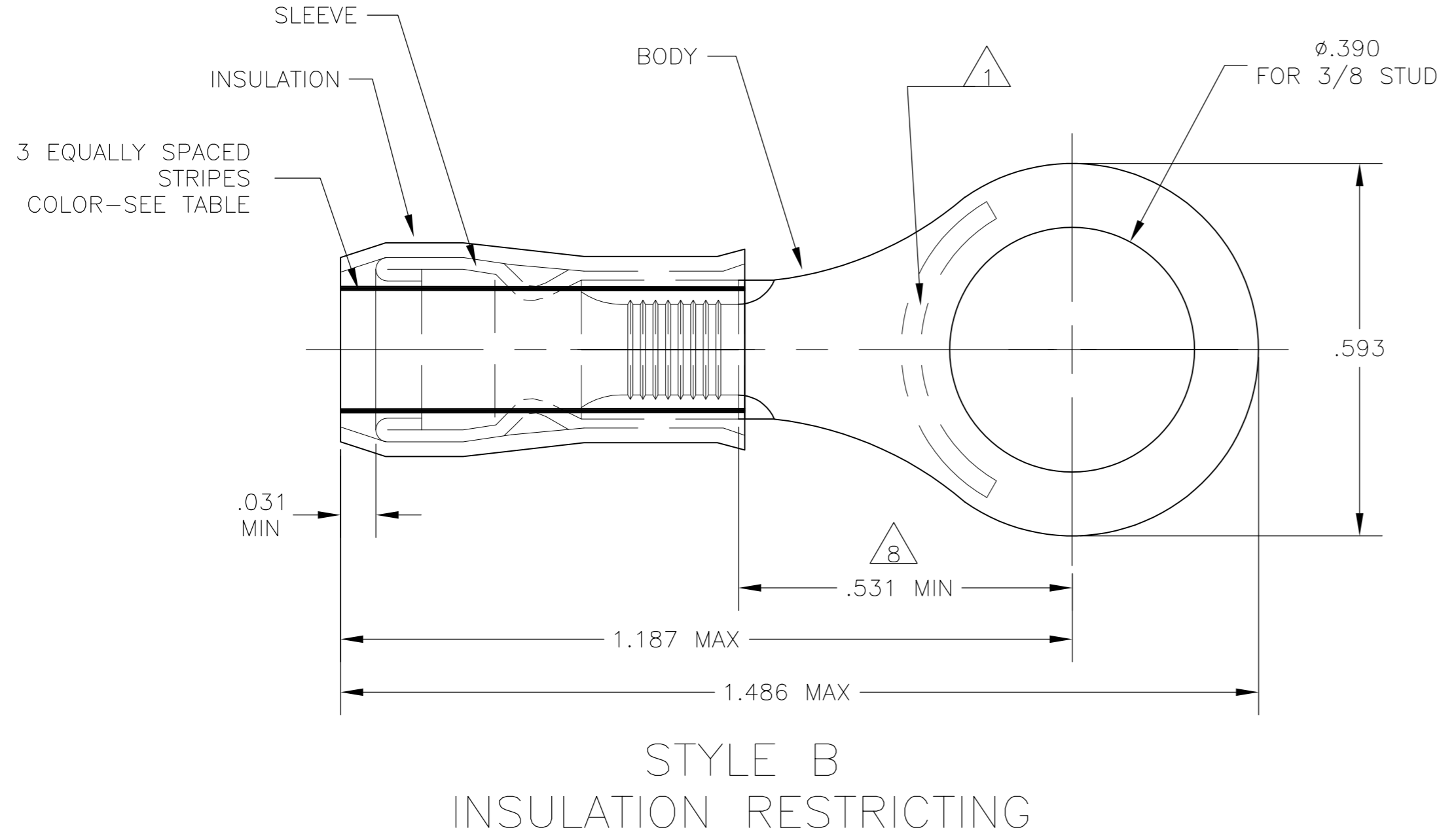


THIS DRAWING IS UNPUBLISHED. RELEASED FOR PUBLICATION  
 © COPYRIGHT - By - ALL RIGHTS RESERVED.

LOC		DIST		REVISIONS			
P	LTR	DESCRIPTION		DATE	DWN	APVD	
G	14	P		REVISED PER ECO-14-015277	19FEB2015	NK	DR



- 1 STAMP "AMP - SEE TABLE" APPROX AS SHOWN
- 2 WIRE INSULATION DIA: SEE TABLE.
- 3 TONGUE MATERIAL THK: .040±.002.
- 4 BODY: TIN PLATE .000100 MIN EXT THK PER ASTM B545.
- 5 SLEEVE: TIN PLATE .000100 MIN EXT THK PER ASTM B545.
- 6 SLEEVE: NICKEL PLATE PER QQ-N-290.
- 7 BODY & SLEEVE- CU PER ASTM B152 INSULATION - NYLON PER ASTM D4066 COLOR - YELLOW.
- 8 APPLIES FROM EDGE OF METAL WIRE BARREL TO CENTER OF STUD HOLE.
- 9 MEETS MS25036-114, CLASS 1 & 2.
- 10 MEETS MS25036-114, CLASS 2.
- 11 MEETS M7928/1-61, CLASS 1 & 2.
- 12 MEETS M7928/1-68, CLASS 1 & 2.



QTY	PACKAGE TYPE	STAMPING	WIRE INSUL DIA	WIRE SIZE	STRIPE COLOR	STYLE	BODY FINISH	SLEEVE FINISH	PART NO
50	LOOSE PIECE, BOX	12-10	.150-.230	12-10	---	A		5	8-320577-2
1000	ON TAPE & REEL	12-10	.150-.230	12-10	---	A		5, 10	2-320577-3
500	LOOSE PIECE	10	.119-.200	10	BROWN	B	4	6, 12	2-320577-2
500	LOOSE PIECE	12	.095-.200	12	YELLOW	B		6, 11	2-320577-1
500	LOOSE PIECE	12-10	.150-.230	12-10	---	A		5, 9	320577

<b>CUSTOMER SERVICE SYSTEMS</b>		MAX RECOMMENDED OPERATING TEMPERATURE: 105°C MAX		THIS DRAWING IS A CONTROLLED DOCUMENT.		DWN: JR RUTH 23DEC09		<b>TE</b> TE Connectivity	
FOR ADDITIONAL PRODUCT INFORMATION OR COPIES OF DRAWINGS AND TECHNICAL DOCUMENTS: 1-800-522-6752		VOLTAGE RATING: 300 VOLT MAX		DIMENSIONS: INCHES		CHK: T MICHIELUTTI 23DEC09			
FOR APPLICATION TOOLING ASSISTANCE CENTER: 1-800-722-1111		CIRCULAR MIL AREA: 2.62-6.64mm² [5,180-13,100] STRANDED OR SOLID		TOLERANCES UNLESS OTHERWISE SPECIFIED: 0 PLC ± - 1 PLC ± - 2 PLC ± - 3 PLC ± .008 4 PLC ± - ANGLES ± -		APVD: T MICHIELUTTI 23DEC09		NAME: TERMINAL, RING TONGUE, PIDG WIRE SIZE: 12-10 AWG	
FOR ORDER ENTRY: 1-800-526-5142				MATERIAL: 7		FINISH: -		SIZE: A2 CAGE CODE: 00779 DRAWING NO: C-320577 RESTRICTED TO: -	
						WEIGHT: -		SCALE: 5:1 SHEET: 1 of 1 REV: P	