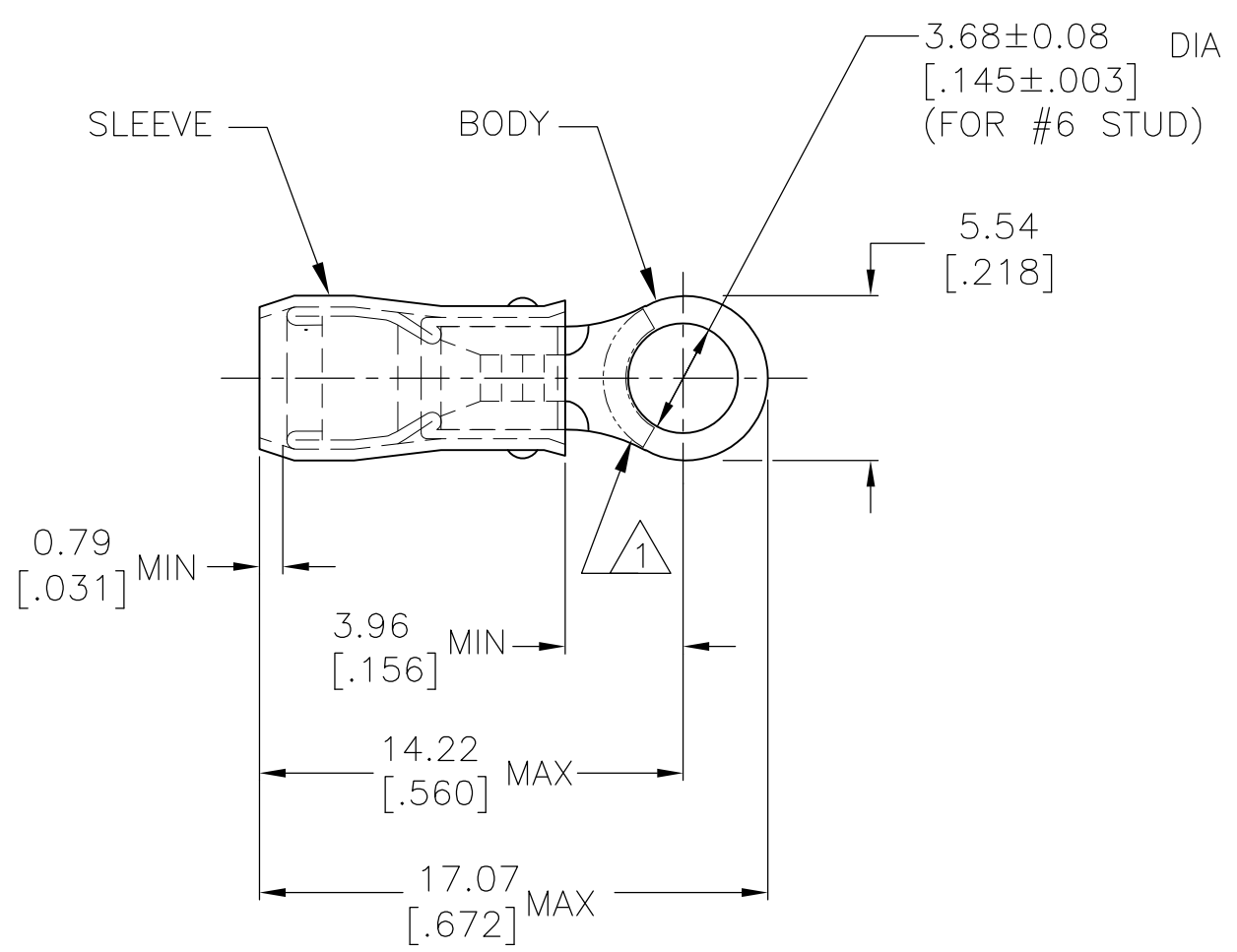


THIS DRAWING IS UNPUBLISHED. RELEASED FOR PUBLICATION  
 © COPYRIGHT - By - ALL RIGHTS RESERVED.

LOC	DIST	REVISIONS					
		P	LTR	DESCRIPTION	DATE	DWN	APVD
G	14		V	REVISED PER ECO-14-015277	12FEB2015	NK	DR

<b>AMP</b> WIRE RANGE	E13288 Listed	LR7189 Certified
22-16 AWG SOLID OR STRANDED	22-16 AWG SOLID OR STRANDED	22-16 AWG SOLID OR STRANDED



- 1 STAMP AMP 22-18\* APPROX AS SHOWN  
22-16 TERMINALS ARE STAMPED 22-18 IN  
ACCORDANCE WITH MILITARY SPEC MIL-T-7928  
COMMERCIAL WIRE RANGE IS 22-16.
- 2 WIRE INSULATION DIA: 2.03-3.18[.080-.125].
- 3 TONGUE MATERIAL THK: 0.79±0.05[.031±.002].

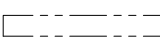
-	100	LOOSE PIECE, BOX	8-36149-1
MS25036-101 CLASS 2	5000	ON TAPE, REEL	2-36149-2
MS25036-101 CLASS 1 & 2	1000	LOOSE PIECE	36149
MILITARY P/N AND CLASS	QUANTITY	PACKAGE TYPE	PART NO

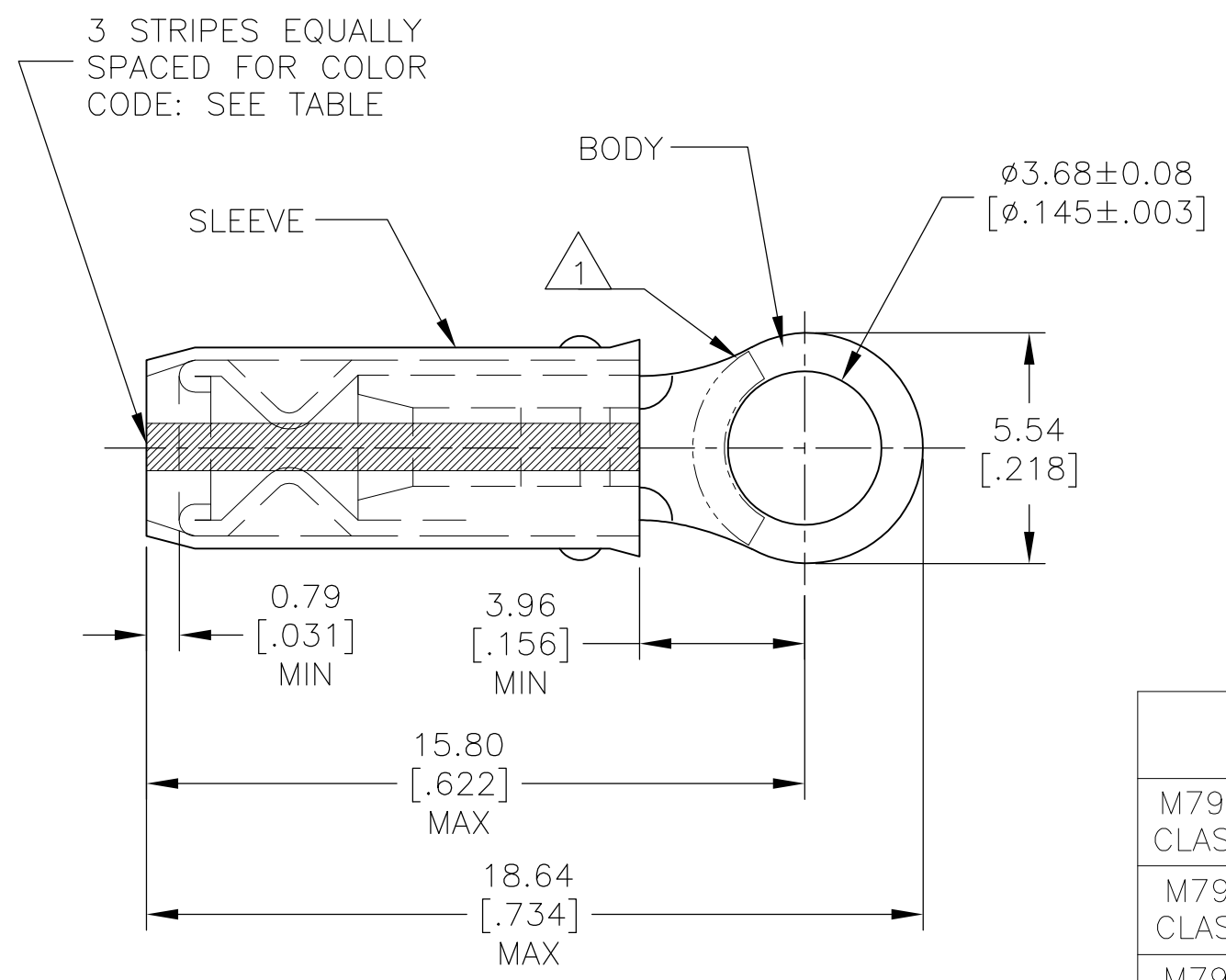
<b>AMP INCORPORATED CUSTOMER SERVICE SYSTEMS</b>		MAX RECOMMENDED OPERATING TEMPERATURE: 105°C MAX	DWN DK SCHRUM 9/8/93		TE Connectivity					
FOR ADDITIONAL PRODUCT INFORMATION OR COPIES OF DRAWINGS AND TECHNICAL DOCUMENTS	PRODUCT INFORMATION CENTER 1-800-522-6752	VOLTAGE RATING: 300 V MAX	DIMENSIONS: mm[INCHES]	TOLERANCES UNLESS OTHERWISE SPECIFIED: 0 PLC ± - 1 PLC ± - 2 PLC ± 0.20[.008] 3 PLC ± - 4 PLC ± - ANGLES ± -					CHK RE HERSEY 9/8/93	NAME
FOR APPLICATION TOOLING INFORMATION	TOOLING ASSISTANCE CENTER 1-800-722-1111	CIRCULAR MIL AREA: 0.26-1.65mm <sup>2</sup> [509-3,260] CIR MILS SOLID OR STRANDED		FINISH TIN PLATE PER ASTM B545	APVD ML ELLIS 9/8/93	TERMINAL, RING TONGUE, PIDG™, WIRE SIZE, 22-16 AWG				
FOR ORDER ENTRY	1-800-526-5142		MATERIAL COPPER PER ASTM B-152 SLEEVE, RED NYLON		PRODUCT SPEC UL 486A	SIZE	CAGE CODE	DRAWING NO	RESTRICTED TO	
					APPLICATION SPEC NOT AVAILABLE	A3	00779	C-36149	-	
					WEIGHT -	CUSTOMER DRAWING		SCALE NTS	SHEET 1 OF 2	REV V

THIS DRAWING IS UNPUBLISHED. RELEASED FOR PUBLICATION  
 © COPYRIGHT - By - ALL RIGHTS RESERVED.

LOC	DIST	REVISIONS			
P	LTR	DESCRIPTION	DATE	DWN	APVD
G	14	-	SEE SHEET 1	-	-

**AMP**  
 WIRE RANGE  
 SEE TABLE  
 STRANDED

- 1 STAMP AMP  APPROX AS SHOWN SEE TABLE BELOW.
- 2 WIRE INSULATION DIA: 0.97-2.79[.038-.110] FOR 22 AWG  
 1.17-2.79[.046-.110] FOR 20 AWG  
 1.42-2.79[.056-.110] FOR 18 AWG.
- 3 TONGUE MATERIAL THK: 0.79±0.05[.031±.002].



-	RED	20*	20	100	LOOSE PIECE, BOX	7-36149-1
M7928/1-30 CLASS 1 & 2	WHITE	18*	18	1000	LOOSE PIECE	2-36149-5
M7928/1-21 CLASS 1 & 2	RED	20*	20	1000	LOOSE PIECE	2-36149-4
M7928/1-12 CLASS 1 & 2	GREEN	22*	22	1000	LOOSE PIECE	2-36149-3
MILITARY P/N AND CLASS	STRIPE COLOR	STAMPING	WIRE SIZE	QUANTITY	PACKAGE TYPE	PART NO

<b>AMP INCORPORATED CUSTOMER SERVICE SYSTEMS</b>		MAX RECOMMENDED OPERATING TEMPERATURE: 105°C MAX		DWN DK SCHRUM 9/8/93		<b>STE</b> TE Connectivity	
FOR ADDITIONAL PRODUCT INFORMATION OR COPIES OF DRAWINGS AND TECHNICAL DOCUMENTS		VOLTAGE RATING: 300 V MAX		CHK RE HERSEY 9/8/93			
PRODUCT INFORMATION CENTER 1-800-522-6752		WIRE RANGE: CIRC MIL AREA:		APVD ML ELLIS 9/8/93		NAME	
FOR APPLICATION TOOLING ASSISTANCE CENTER		22 0.38mm² [754]		PRODUCT SPEC		TERMINAL, RING TONGUE, I.R., PIDG™	
TOOLING INFORMATION 1-800-722-1111		20 0.60mm² [1,186]		APPLICATION SPEC		WIRE SIZE, 22-16 AWG	
FOR ORDER ENTRY 1-800-526-5142		18 0.96mm² [1,900]		NOT AVAILABLE		SIZE CAGE CODE DRAWING NO RESTRICTED TO	
		STRANDED		WEIGHT -		A3 00779 C-36149	
		MATERIAL COPPER PER ASTM B-152 SLEEVE, RED NYLON		FINISH TIN PLATE PER ASTM B545		SCALE NTS SHEET 2 OF 2 REV V	
				CUSTOMER DRAWING			