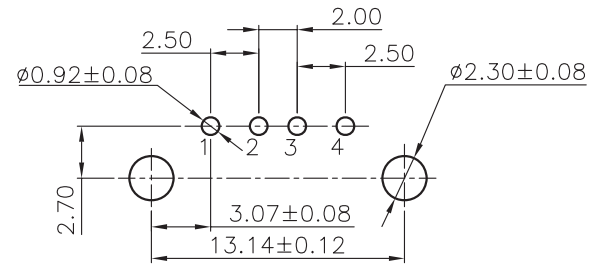
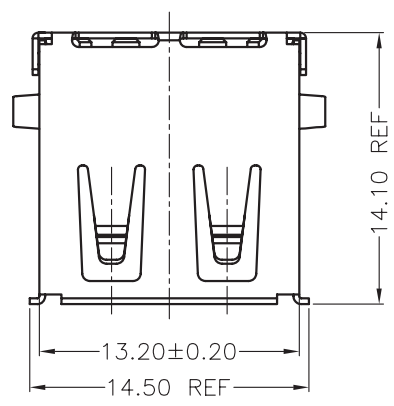


1 2 3 4 5



PCB LAYOUT - COMPONENT VIEW

TECHNICAL CHARACTERISTICS

MATERIAL
 INSULATOR: PBT
 COLOR: WHITE
 CONTACT MATERIAL: COPPER ALLOY
 CONTACT TYPE: STAMPED
 CONTACT PLATING: SELECTIVE GOLD
 SHIELDING: BRASS NI PLATED
 QUALITY CLASS: 1500 MATING CYCLES

ENVIRONMENTAL
 OPERATING TEMPERATURE: -40 UP TO 105°C
 FLAMABILITY RATING: UL94-V0
 COMPLIANCE: LEAD FREE AND ROHS

ELECTRICAL
 CURRENT RATING: 1.5A Max
 WORKING VOLTAGE: 30V AC
 INSULATOR RESISTANCE: >1000 MOHM
 DIELECTRIC WITHSTANDING VOLTAGE: 750V AC/MN
 CONTACT RESISTANCE: 20 mOHM MAX

STANDARD
 CERTIFIED: E323964

SOLDERING
 WAVE PROCESS ONLY

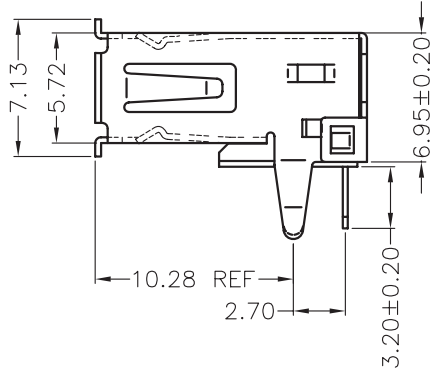
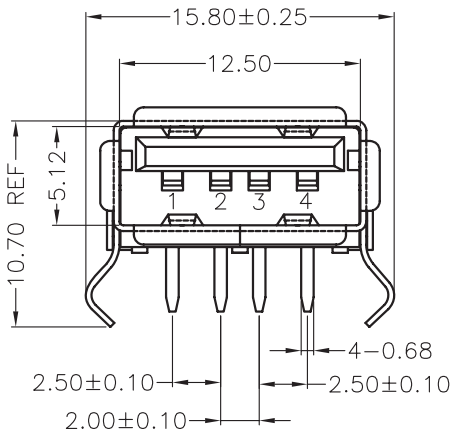
PACKAGING
 TRAY

A

B

C

D



RoHS Compliant				PROJECTION: 	GENERAL TOLERANCE .X = +/- 0.2 .XX = +/- 0.15		
L	29-AUG-13	AXEL MAKE UP	QL				
K	24-JUL-13	DRAWING	QL				
J	15-FEV-13	DESIGNATION	AR				
I	08-NOV-11	CURRENT RATING	GG				
H	03-OCT-11	UL	GG	APPROVAL: RJ	UNIT: MM	DESCRIPTION: USB 2.0 FEMALE R/A A TYPE	SIZE A4
REV	DATE	FILE	BY	SHEET: 1/2	SCALE:		
				DRAW: PEARL	WERI PART NO: 61400416021		

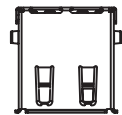
1

2

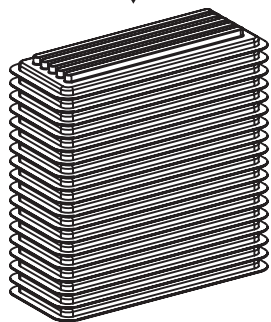
3

4

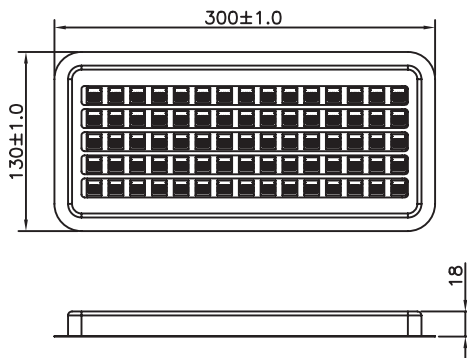
5



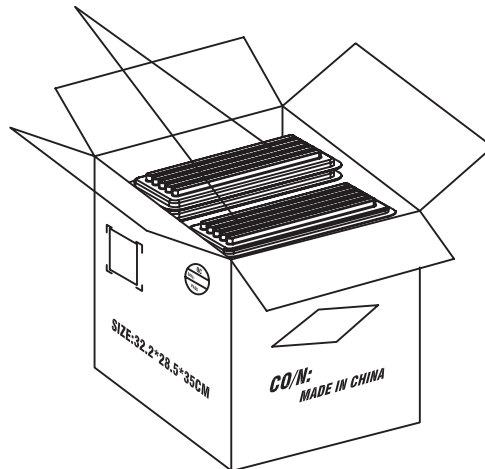
TRAY



22 TRAYS



Two Row

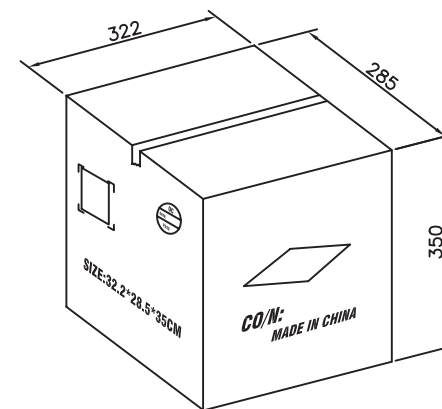


Note:

1.Dimension:
Tray Size: 300(L)X130(W)X18.0(H) (mm)
Carton Size: 322X285X350 (mm)

2.Quqntity:
60pcs/Tray
44Tray/ Carton
Q'TY: 2640pcs

3.G.W: 7.12KG/Carton

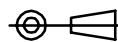


CARTON

RoHS Compliant

G			
F			
E			
D			
C			
B			
A			
REV	DATE	FILE	BY

PROJECTION:



APPROVAL: RJ

GENERAL TOLERANCE

.X = +/- 0.2

.XX = +/- 0.15

UNIT: MM

SCALE:

SHEET: 2/2

DRAW: PEARL



DESCRIPTION: USB 2.0 FEMALE R/A A TYPE

WERI PART NO: 61400416021

SIZE

A4