

RL 90-18/00

AC centrifugal compact fan

single inlet



ebm-papst St. Georgen GmbH & Co. KG

Hermann-Papst-Str. 1
D-78112 St. Georgen
Phone +49 (0) 7724 81-0
Fax +49 (0) 7724 81-1309
info2@de.ebmpapst.com
www.ebmpapst.com

Nominal data

Type	RL 90-18/00	
Phase		1~
Nominal voltage	VAC	115
Frequency	Hz	60
Speed	min ⁻¹	2550
Power input	W	19.5
Min. ambient temperature	°C	-10
Max. ambient temperature	°C	60
Air flow	m ³ /h	42
Sound power level	B	6.0

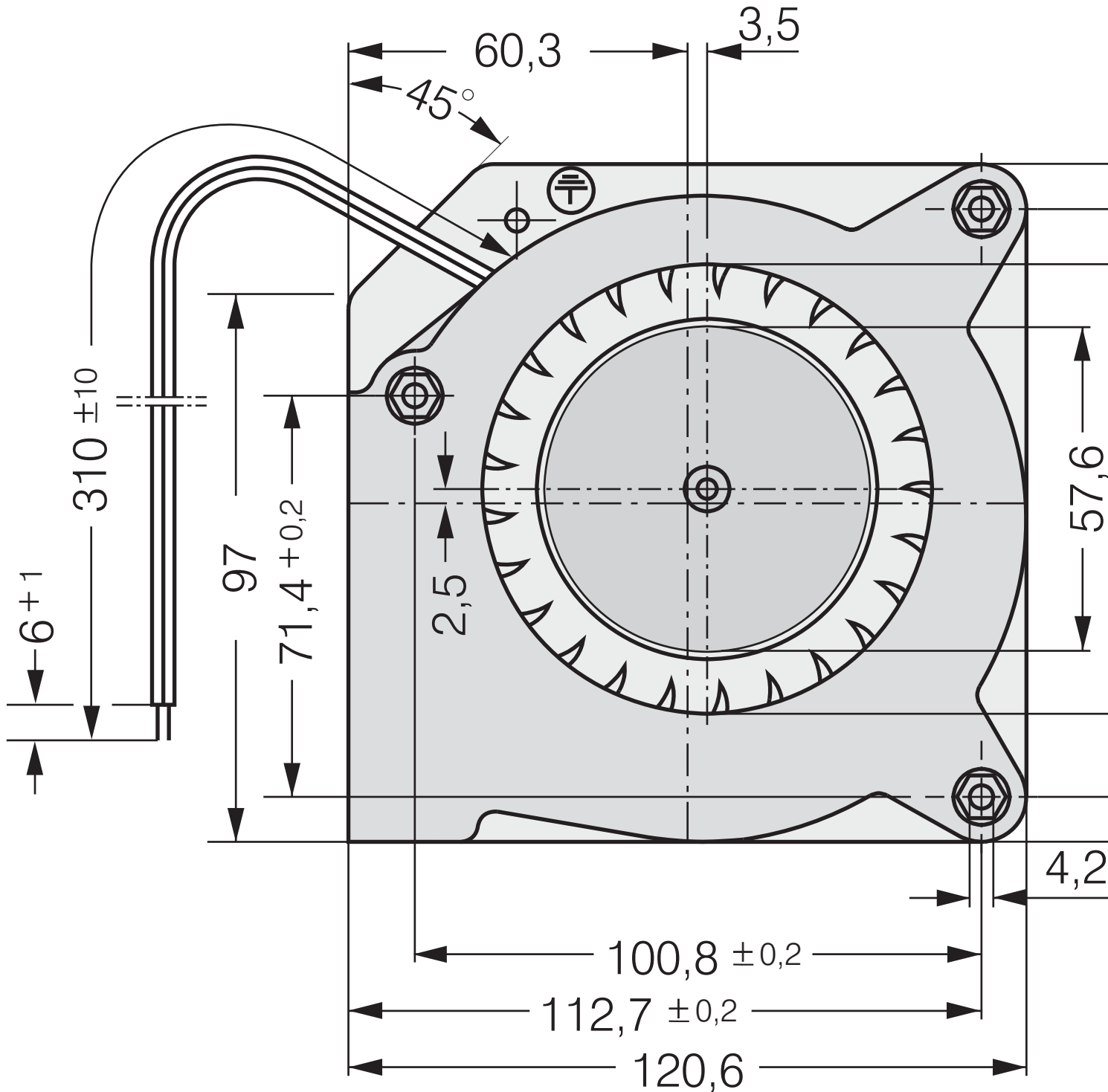
ml = Max. load · me = Max. efficiency · fa = Running at free air · cs = Customer specs · cu = Customer unit
Subject to alterations



Technical features

General description	Forward-curved impeller
Housing material	Scroll housing made of fibreglass-reinforced plastic (PBT), housing base made of sheet steel
Mass	0.680 kg
Dimensions	121 x 121 x 37 mm
Material of impeller	Fibreglass-reinforced plastic (PA)
Direction of air flow	Centrifugal: Air outlet via window in housing
Direction of rotation	Right, looking at rotor
Bearing	Sintec sleeve bearing
Lifetime L10 at 40 °C	37500 h
Lifetime L10 at maximum temperature	25000 h
Connection line	With 2 single strands AWG 18, TR 32. Housing base with flat connector 6.3 x 0.8 mm for protective earth
Motor protection	Protected from overload using impedance protection
Approval	VDE, CSA, UL, CE

Product drawing



*Federmutter M4 oder 8-32UNC. Eins

Charts: Air flow

