

RLF 100-11/14

DC centrifugal compact fan

single inlet



ebm-papst St. Georgen GmbH & Co. KG

Hermann-Papst-Str. 1

D-78112 St. Georgen

Phone +49 (0) 7724 81-0

Fax +49 (0) 7724 81-1309

info2@de.ebmpapst.com

www.ebmpapst.com

Nominal data

Type	RLF 100-11/14	
Nominal voltage	VDC	24
Nominal voltage range	VDC	16 .. 30
Speed	min ⁻¹	5100
Power input	W	8.0
Min. ambient temperature	°C	-20
Max. ambient temperature	°C	75
Air flow	m ³ /h	64
Sound power level	B	6.4

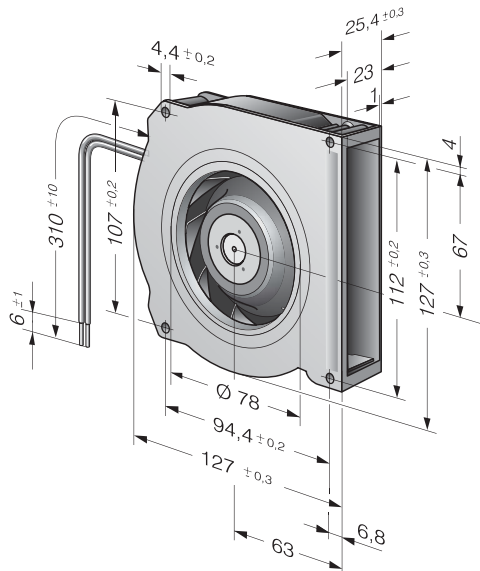
mi = Max. load · me = Max. efficiency · fa = Running at free air · cs = Customer specs · cu = Customer unit
Subject to alterations



Technical features

General description	Optional protective cap for outlet opening Backward-curved impeller
Mass	0.320 kg
Dimensions	127 x 127 x 25 mm
Material of impeller	Fiberglass-reinforced plastic
Housing material	Scroll housing of fiberglass-reinforced plastic, housing base of galvanized sheet steel.
Direction of air flow	Axial air intake, centrifugal air exhaust out of the outlet.
Direction of rotation	Right, looking at rotor
Bearing	Ball bearings
Lifetime L10 at 40 °C	80000 h
Lifetime L10 at maximum temperature	30000 h
Connection line	With single strands AWG 22, TR 64
Motor protection	Protected against reverse polarity and locking.
Locked-rotor protection	Electronic blocking and overload protection.
Approval	VDE, CSA, UL, CE

Product drawing



Charts: Air flow

