

QG030-198/12

# DC tangential blower

forward curved



## ebm-papst St. Georgen GmbH & Co. KG

Hermann-Papst-Str. 1

D-78112 St. Georgen

Phone +49 (0) 7724 81-0

Fax +49 (0) 7724 81-1309

info2@de.ebmpapst.com

www.ebmpapst.com

## Nominal data

Type	QG030-198/12	
Nominal voltage	VDC	12
Nominal voltage range	VDC	8 .. 14
Power input	W	8.0
Min. ambient temperature	°C	-20
Max. ambient temperature	°C	60
Air flow	m <sup>3</sup> /h	100
Sound power level	B	5.8
Sound pressure level	dB(A)	51

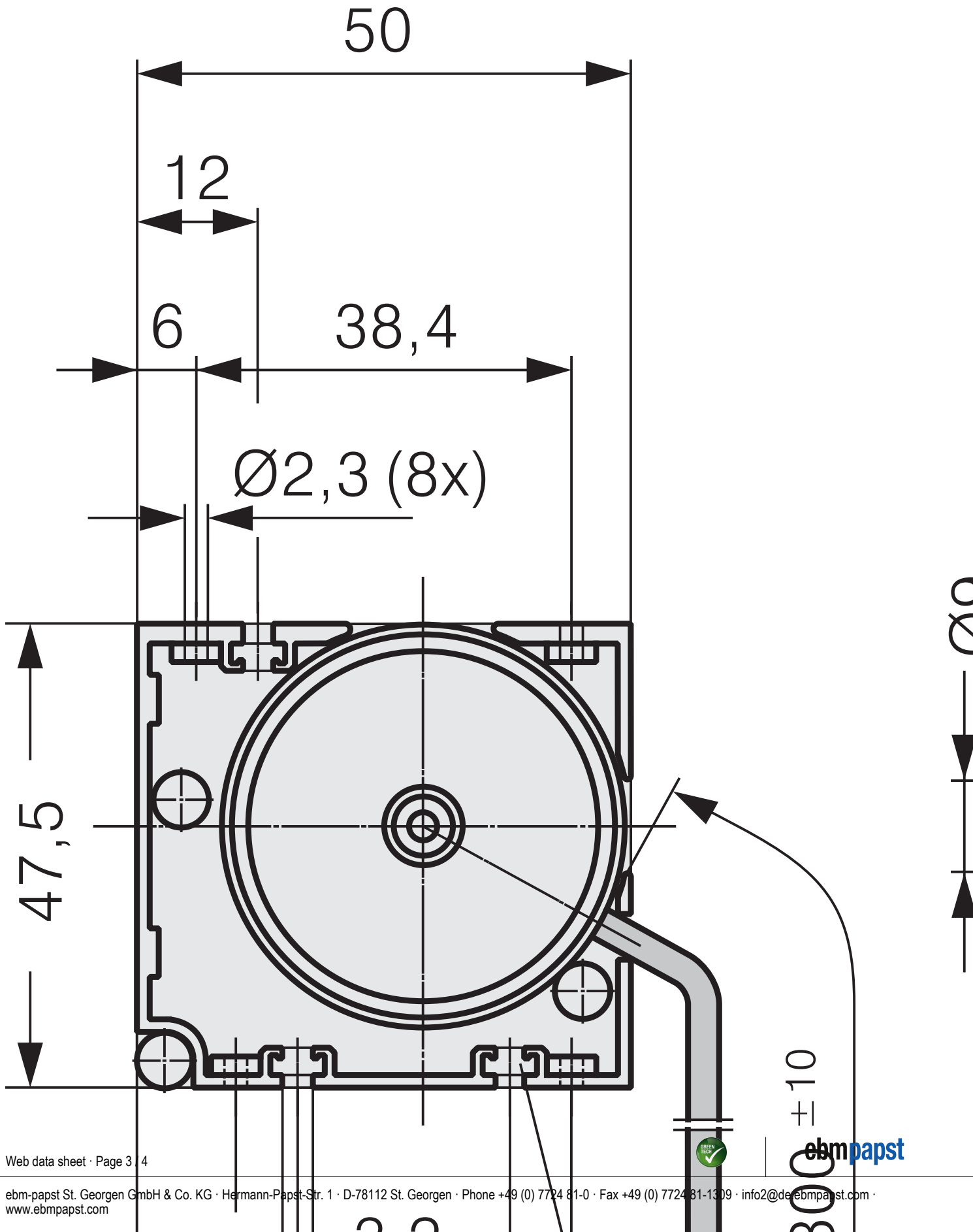
ml = Max. load · me = Max. efficiency · fa = Running at free air · cs = Customer specs · cu = Customer unit  
Subject to alterations



## Technical features

<b>Mass</b>	0.290 kg
<b>Material of impeller</b>	Aluminum
<b>Housing material</b>	Aluminum, housing side parts of plastic.
<b>Direction of rotation</b>	Right, looking at rotor
<b>Bearing</b>	Motor with ball bearing system. Impeller bracket with sliding bearings.
<b>Lifetime L10 at 40 °C</b>	30000 h
<b>Lifetime L10 at maximum temperature</b>	20000 h
<b>Connection line</b>	With single strands AWG 24, TR 64
<b>Motor protection</b>	Protected against reverse polarity and locking.
<b>Locked-rotor protection</b>	Blocking and overload protection
<b>Approval</b>	VDE, CSA, UL, CE

Product drawing



## Charts

